

CFASE

Circular diffuser with fixed cones and damper



Diffusion

Components
for perfect air
distribution in HVAC
systems



Product

CFASE

Application

Ceiling mounted, supply and return

Construction

Aluminium painted white RAL 9016 with sealing gasket

SPECIFICATION

Circular fixed cone diffuser with removable central body and butterfly damper

MOUNTING

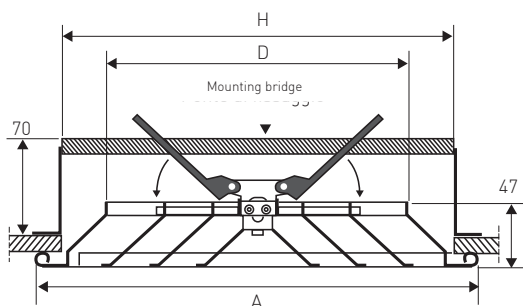
Hidden screw fixing positioned inside the diffuser or with mounting bridge

ACCESSORIES

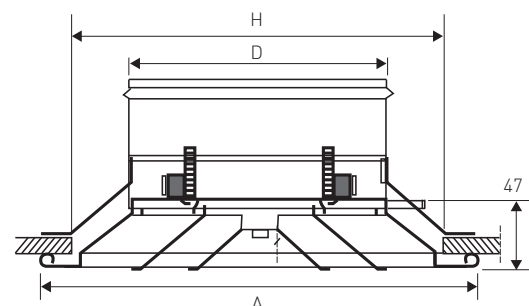
MF-MZ Fixing collar

DIMENSIONS

CFASE Ø mm	H mm	D mm	A mm
150	225	149	257
200	275	199	309
250	325	249	362
300	375	298	415



CFASE



CFASE+MF



Ø 150
Ø 200
Ø 250

Polycarbonate fixing collar

MF



Ø 300
Ø 350

Steel fixing collar

MZ

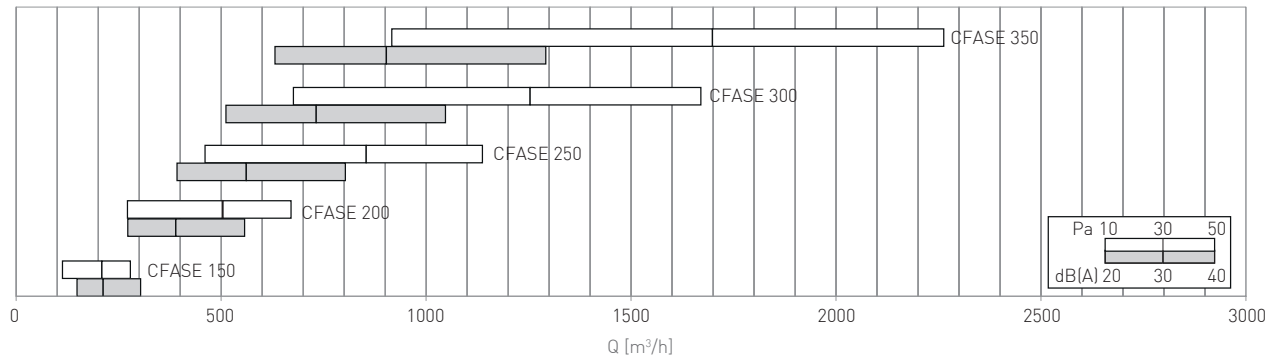
CFASE

Circular diffuser with fixed cones and damper

SELECTION TABLE

CFASE Model	A_k m ²	Q [m ³ /h]		L_{WA} [dB(A)]		$X_{(0,25)} - Y_{(0,25)}$ [m]		Dpt [Pa]	
		min	max	min	max	min	max	min	max
150	0,0102	110	280	-	38	1,0	2,1	10	50
200	0,0227	270	670	-	45	1,5	3,2	10	50
250	0,0366	460	1140	24	50	1,9	4,2	10	50
300	0,0519	680	1670	28	53	2,2	5,1	10	50
350	0,0684	920	2260	31	56	2,6	6,0	10	50

QUICK SELECTION CHART



MOUNTING

