

# CRA/CRABS

Circular diffuser with adjustable cones



## Product

CRA/CRABS

## Application

Ceiling mounted, supply and return

## Construction

Epoxy powder coated aluminium white RAL 9010. Adjustable cones by micrometric screw with galvanised steel self-locking nut or cone central

CRABS with integrated damper and ABS screw available from d.160

## SPECIFICATION

Circular adjustable cone diffuser in aluminium or ABS

## MOUNTING

Concealed screw mounting on the diffuser neck

## ACCESSORIES

SF Butterfly damper (for CRA only).  
PCOS/I Galvanised sheet metal/insulated plenum.  
KIT CRA Fixing kit with springs.

## DIMENSIONS AND PERFORMANCE

### CRA

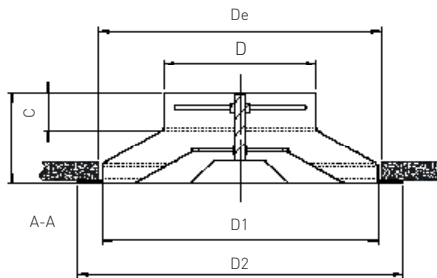
Model mm	D mm	D e mm	D1 mm	Ø D2 mm	C mm	H mm	Cones n.	A <sub>t</sub> m <sup>2</sup>	Q m <sup>3</sup> /h	ΔP Pa	Throw -L m
100	98	198	194	230	30	75	1	0,008	86	19	0,6
150	148	288	280	335	45	105	2	0,0174	188	16	1,1
160	158	288	280	335	45	105	2	0,0197	213	16	1,1
200	198	370	360	423	48	118	2	0,0302	326	15	1,5
250	248	461	445	517	48	130	2	0,0462	499	14	1,6
300	298	576	560	640	48	146	2	0,0653	706	13	1,9
315	313	576	560	640	48	146	2	0,0717	774	12	1,9
350	348	656	640	730	65	185	2	0,0876	946	13	2,7
355	363	656	640	730	65	185	2	0,09	972	12	2,7
400	398	700	680	776	65	185	3	0,1129	1219	12	3,1
450	448	755	735	825	65	185	3	0,1412	1525	12	3,6
500	498	825	805	917	65	185	3	0,1724	1862	11	3,9
630	628	963	943	1045	65	185	4	0,2673	2887	10	4,8

- Adjustable internal cones

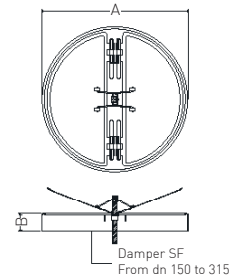


**Diffusion**

Components  
for perfect air  
distribution in HVAC  
systems



**CRA**

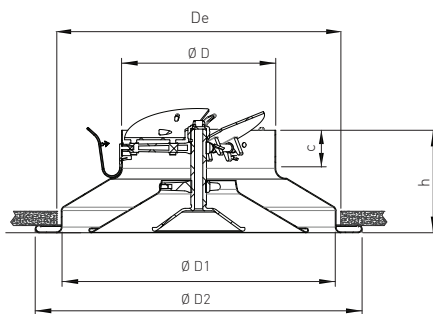


**DAMPER**

**CRABS**

Model mm	D mm	De mm	D1 mm	Ø D2 mm	C mm	H mm	Cones n.	A <sub>v</sub> m <sup>2</sup>	Q m <sup>3</sup> /h	ΔP Pa	Throw -L m
160	158	288	280	335	45	105	3	0,0197	213	16	1,1
200	198	370	360	423	48	118	3	0,0302	326	15	1,5
250	248	461	445	517	48	135	3	0,0462	499	14	1,6
315	313	576	560	640	48	145	3	0,0653	706	13	1,9

- Adjustable internal cones



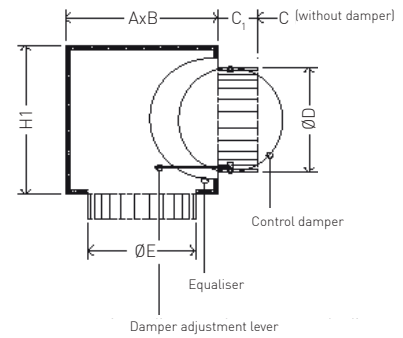
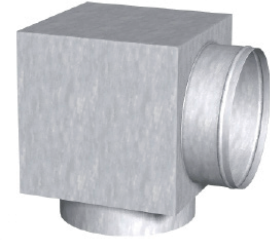
**CRABS**

# CRA/CRABS

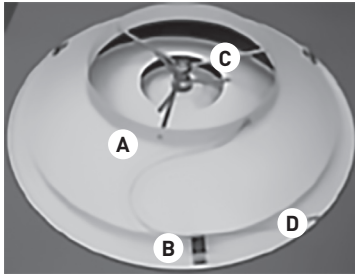
Circular diffuser with adjustable cones

## PLENUM PCOS/PCOI

Dimensions nominal	AxB	C	C <sub>1</sub>	Ø D	Ø E	H1	N
mm	mm	mm	mm	mm	mm	mm	mm
100	200x200	65	65	96	102	200	1
150	250x250	70	70	146	152	250	1
160	250x250	60	90	156	162	250	1
200	300x300	60	90	196	202	300	1
250	350x350	60	90	246	252	350	1
300	400x400	60	90	296	302	400	1
315	400x400	60	90	311	317	400	1
350	450x450	90	90	346	352	450	1
355	450x450	90	90	346	357	450	1
400	500x500	90	90	396	402	500	1
450	550x550	100	100	446	453	550	1
500	600x600	100	100	496	503	600	1
630	730x730	100	100	600	633	730	1



## MOUNTING



- A. Diffuser
- B. Fixing spring
- C. Rosettes
- D. Safety cable

Hole diameter: ØN160 (Ø310); ØN200 (Ø390); ØN250 (Ø475); ØN315 (Ø590); ØN350 (Ø670); ØN355 (Ø670)

**WARNING!** For models ØN350 and ØN355 the use of 6 clips is recommended (the equivalent of 2 mounting kits of ØN315)



1. Apply the fixing springs (B) at the diffuser spokes maintaining an angle of approximately 120°



2. Apply a light downward pressure on the spring (B)

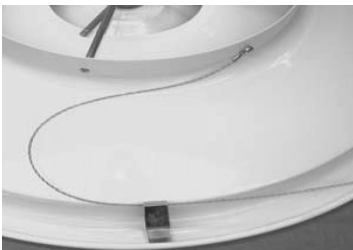


# Diffusion

Components  
for perfect air  
distribution in HVAC  
systems



3. Drill a through hole ( $\varnothing$  5.5 mm) on the terminal part of the diffuser neck (near the radius) for fixing the safety cable (D)



4. Fix the safety cable (D) using the supplied screw and nut (M5). Fix the terminal part of the cable to the suspended ceiling structure



5. Insert the diffuser (A) into the appropriate housing

## SELECTION TABLE

CRA/CRABS Model	$A_k$ m <sup>2</sup>	Q [m <sup>3</sup> /h]		$L_{WA}$ [dB(A)]		$X_{(0,25)} - Y_{(0,25)}$ [m]		$D_{pt}$ [Pa]	
		min	max	min	max	min	max	min	max
100	0,0073	70	170	-	36	0,7	1,8	10	50
150	0,0161	160	370	-	38	1,3	3,2	10	50
160	0,0183	180	420	-	38	1,5	3,6	10	50
200	0,0284	270	640	-	38	2,0	4,9	10	50
250	0,0440	410	980	-	39	2,7	6,7	10	50
300	0,0630	580	1390	-	39	3,6	8,7	10	50
315	0,0693	630	1520	-	39	3,8	9,3	10	50
350	0,0852	780	1860	-	40	4,5	10,8	10	50
400	0,1108	1000	2400	-	40	5,4	13,0	10	50
450	0,1397	1250	3000	-	40	6,3	15,3	10	50
500	0,1719	1530	3660	-	40	7,4	17,7	10	50
630	0,2707	2370	5680	-	41	10,2	24,5	10	50

# CRA/CRABS

Circular diffuser with adjustable cones

## QUICK SELECTION CHART

