

DAC

Curved blade diffuser



Diffusion

Components
for perfect air
distribution in HVAC
systems



Product

DAC

Application

Ceiling/wall, supply
Installation height: 2.4 - 3.2 m

Construction

Anodised aluminium DBC white RAL 9016

SPECIFICATION

Diffuser with adjustable curved blades

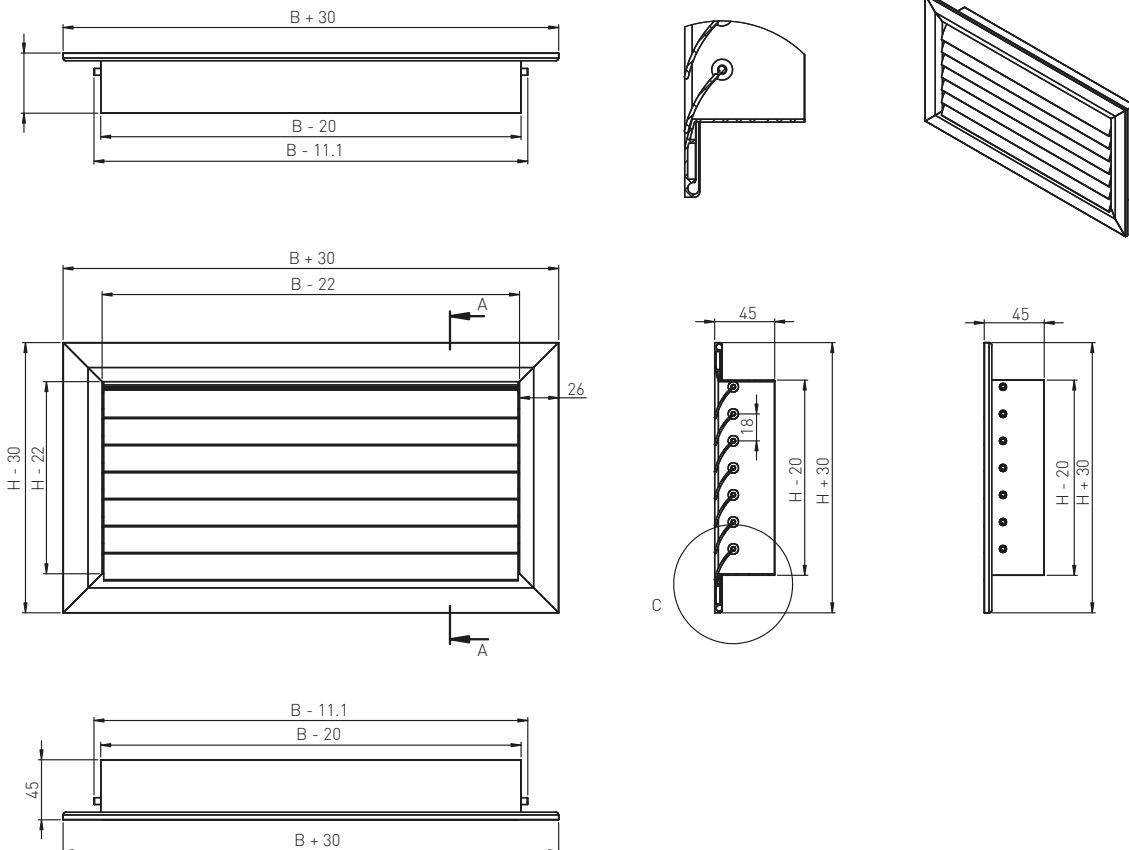
CHARACTERISTICS

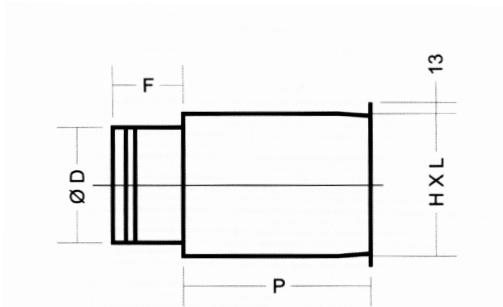
Fixing by clips or front screws (on request)

ACCESSORIES

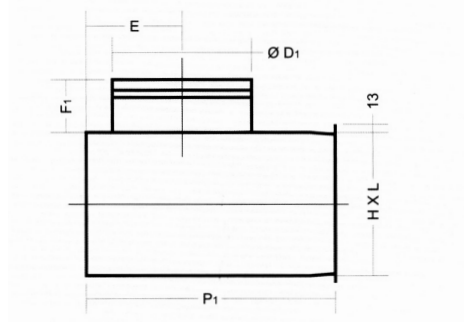
KSEL Galvanised steel balancing damper with
opposed blade movement
PBOS/PBOI Standard or insulated galvanised
steel plenum, with or without equalising mesh

DRAWINGS





PBOS-PBOI PLENUM WITH HORIZONTAL COLLAR



PBVS-PBVI PLENUM WITH VERTICAL COLLAR

SELECTION TABLE

DAC Model	A_k m ²	Q [m ³ /h]		L_{WA} [dB(A)]		$X_{(0,25)} - Y_{(0,25)}$ [m]		D_{pt} [Pa]	
		min	max	min	max	min	max	min	max
DAC 200x100	0,0068	100	210	29	45	1,7-2,5	4,3-5,3	10	50
DAC 300x100	0,0104	150	320	31	48	2,5-3,0	5,1-7,4	10	50
DAC 400x100	0,0139	200	440	33	50	3,0-3,8	6,0-9,5	10	50
DAC 300x150	0,0157	230	490	34	50	3,2-4,3	6,2-10,3	10	50
DAC 500x100	0,0174	250	550	34	51	3,3-4,6	6,6-11,2	10	50
DAC 600x100 400x150 300x200	0,0210	300	660	34	51	3,5-5,3	7,2-12,8	10	50
DAC 500x150	0,0263	380	820	36	52	3,9-6,5	7,9-15,0	10	50
DAC 800x100 400x200	0,0281	410	880	36	53	4,0-6,9	8,2-15,8	10	50
DAC 600x150 300x300	0,0316	460	990	37	53	4,2-7,5	8,6-17,2	10	50
DAC 500x200	0,0351	510	1100	37	54	4,4-8,1	9,0-18,5	10	50
DAC 800x150 600x200 400x300	0,0422	610	1320	38	55	4,8-9,3	9,8-21,1	10	50
DAC 1000x150 500x300	0,0528	770	1650	39	56	5,3-11,0	10,9-24,7	10	50
DAC 800x200	0,0564	820	1770	40	56	5,5-11,6	11,3-26,0	10	50
DAC 600x300	0,0634	920	1990	40	57	5,7-12,6	11,9-28,2	10	50
DAC 1000x200	0,0705	1020	2210	41	57	6,0-13,5	12,5-30,4	10	50
DAC 800x300	0,0847	1230	2650	42	58	6,5-15,5	13,6-34,5	10	50
DAC 1000x300	0,1059	1540	3320	43	59	7,3-18,3	15,1-40,4	10	50
DAC 800x400	0,1130	1640	3540	43	60	7,5-19,1	15,6-42,3	10	50
DAC 595x595	0,1250	1810	3920	44	60	7,8-20,5	16,3-45,4	10	50
1000x400 800x500	0,1413	2050	4430	44	61	8,3-22,4	17,3-49,4	10	50
DAC 1000x500	0,1767	2560	5530	45	62	9,1-26,2	19,2-57,6	10	50
DAC 300x300	0,0317	460	990	37	53	1,3-2,7	2,7-5,5	10	50
DAC 400x400	0,0565	820	1770	40	56	1,7-3,4	3,5-7,0	10	50
DAC 500x500	0,0884	1280	2770	42	58	2,0-4,1	4,3-8,5	10	50
DAC 595x595	0,1252	1820	3920	44	60	2,4-4,7	4,9-9,9	10	50



Diffusion

Components
for perfect air
distribution in HVAC
systems

QUICK SELECTION CHART

