

DCU

Combined diffuser for supply and return in a single module



Product	DCU
Application	Ceiling, supply and return in single module
Construction	Aluminium diffuser
Finish	White RAL 9003

SPECIFICATION

Combined supply/return or supply-only module for ceiling or 600x600 panel installation. 4-way Coanda effect supply diffuser complete with single plenum (supply only) or with two c

CHARACTERISTICS

- Ideal for small and medium spaces
- Suitable for both cooling and heating (ΔT : ± 12 °C)
- Suitable for CAV and VAV systems
- Ceiling mounting, installation heights from 2.7 to 4 m

ACCESSORIES

Standard or insulated galvanised sheet metal plenum.

OPERATION

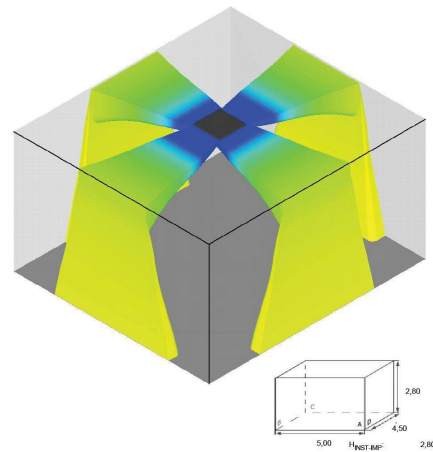
Air supply with Coanda effect occurs in 4 directions through the perimeter slots.

The throw towards surrounding walls does not invade the area beneath the diffuser, avoiding annoying air draughts.

They incorporate 2 plenums with independent connections, avoiding airflow mixing.

- The supply connection ensures air delivery through the diffuser.
- The return connection ensures extraction through the central grille.

Room air return occurs through the central intake. The return air, mixed, envelops the occupants during the upward movement towards the intake. occupants during the upward





MODELS

DCU

Diffuser with continuous perimeter slot
Available with 2 and 3 slots

DCUK

Combined diffuser with perimeter supply slot and
integrated return in the perforated front section.
Available from 1 to 4 slots

SELECTION TABLE IN ISOTHERMAL CONDITIONS:

DCU

Slots	Q [m ³ /h]	L _{WA} [dB(A)]	Dpt [Pa]	X [m]
1	250	24	9	2,0
	335	32	16	2,6
	400	36	22	3,1
2	350	24	6	2,3
	400	28	15,5	2,7
	600	40	20	4,2
3	500	28	15,5	3,0
	600	32	11	3,4
	800	38	18	4,6
4	485	24	4	2,0
	600	25	4	2,0
	900	40	13	3,6

LEGEND

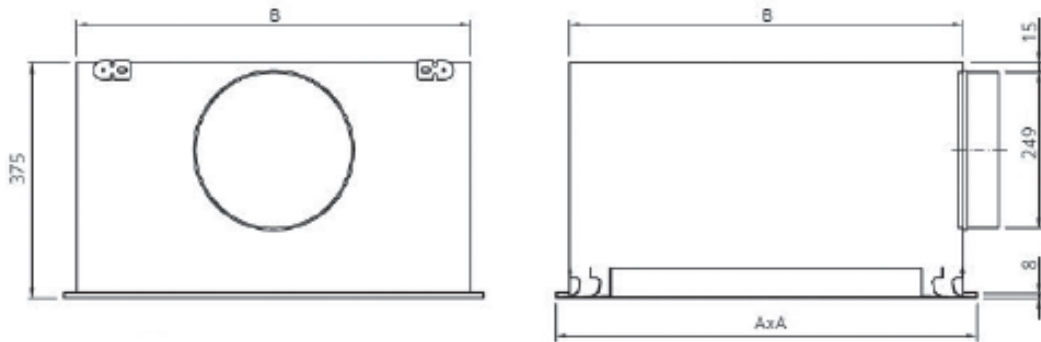
Q	m ³ /h	Flow rate
Dpt	Pa	Total pressure drop
L _{WA}	dB(A)	Sound power
X	m	Horizontal throw at 0.25 m/s velocity in the occupied zone with DT =0°C

DCU

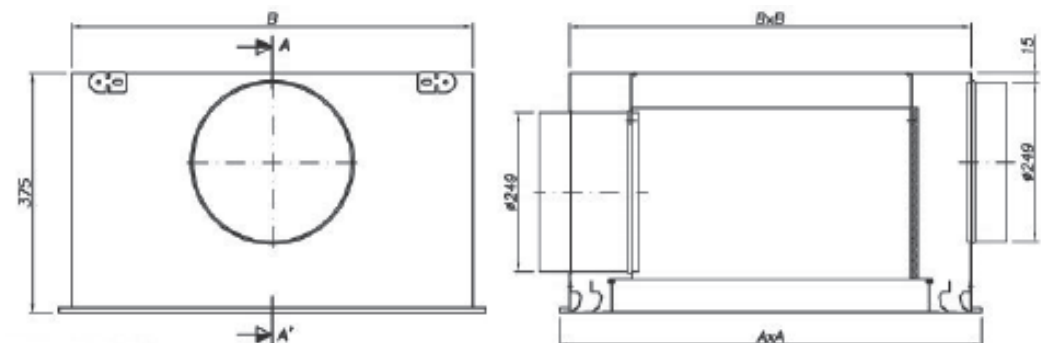
Combined diffuser for supply and return in a single module

DIMENSIONS

DCU WITH PLENUM



DCUK WITH PLENUM



Slots	Dimensions (mm)	
	A	B
1	595	566
2	595	566
3	595	566
4	595	566