

DFICR

Perforated circular high induction diffuser



Diffusion

Components
for perfect air
distribution in HVAC
systems



Product

DFICR

Application

Ceiling mounted
Installation height: 2,5-4,5 m

Construction

Steel structure
Finish: white RAL 9010 epoxy powder coating

SPECIFICATION

Ceiling diffuser with front screen, perforated circular, adjustable in 3 positions

MOUNTING

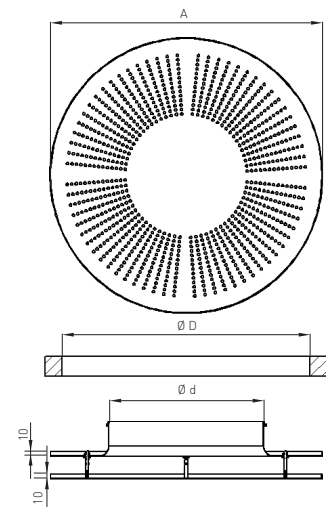
Screw mounting on the diffuser neck

ACCESSORIES

Insulated and non-insulated plenum PCOI/PCOS
Damper installed on plenum
Equalizer installed on plenum

DIMENSIONS

DFICR Model	A x B mm	Ø D mm	Ø d mm
125	210x210	160	123
160	250x250	200	158
200	350x350	300	198
250	450x450	400	248
315	550x500	500	313
400	550x500	500	398



SELECTION TABLE

DFICR Model	Q [m³/h]		L _w [dB(A)]		Throw [m]		D _{pt} [Pa]	
	min	max	min	max	min	max	min	max
125	50	450	<20	45	0,7	5,8	2	93
160	100	500	<20	51	1,0	5,2	4	90
200	250	650	<20	37	2,4	6,2	6	39
250	350	750	<20	34	2,9	6,2	7	33
315	450	850	<20	32	2,9	5,5	8	28
400	550	950	<20	36	2,8	4,8	11	31

Diffuser mounted on plenum with open damper, terminal velocity VT=0,25 m/s