

DIP

Floor diffuser



Product

DIP

Application

Floor-mounted

Construction

Epoxy powder coated steel matt RAL 9005

SPECIFICATION

The DIP diffuser is suitable for floor-level installation in environments requiring particular thermal and acoustic comfort conditions

FUNCTIONS

The floor diffuser has a high capacity to reduce the temperature difference between the supply air and the required room temperature

MOUNTING

Fixing by support ring suitable for the floor type.
If the floor is not sealed, the use of a plenum is required

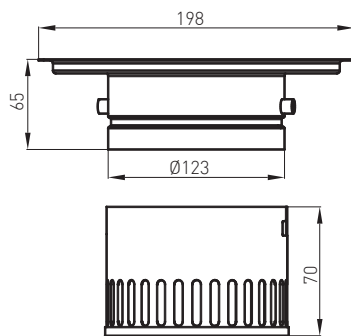
VERSIONS

DIP125 IX with stainless steel grille (on request)

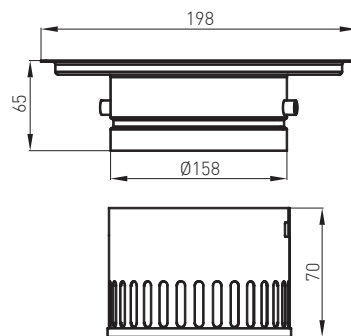
ACCESSORIES

Dust collection basket.
Basket damper.
Support ring for raised floor installation.
Support ring for concrete floor installation.
Galvanised sheet metal plenum with side connection \varnothing 125

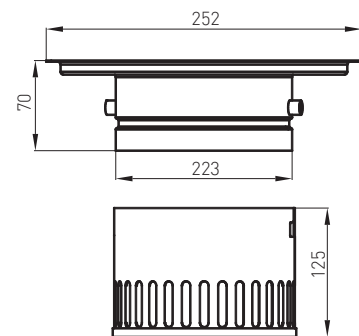
DIMENSIONS



DIP125



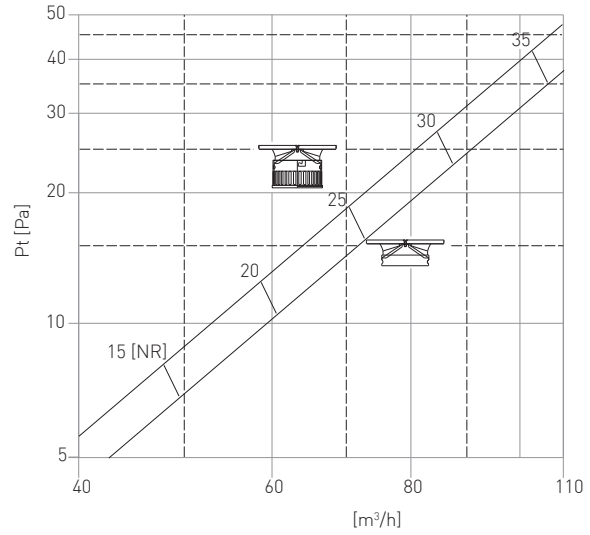
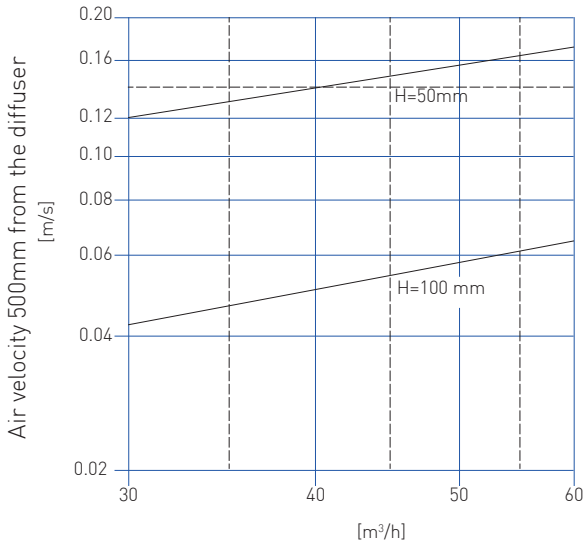
DIP160



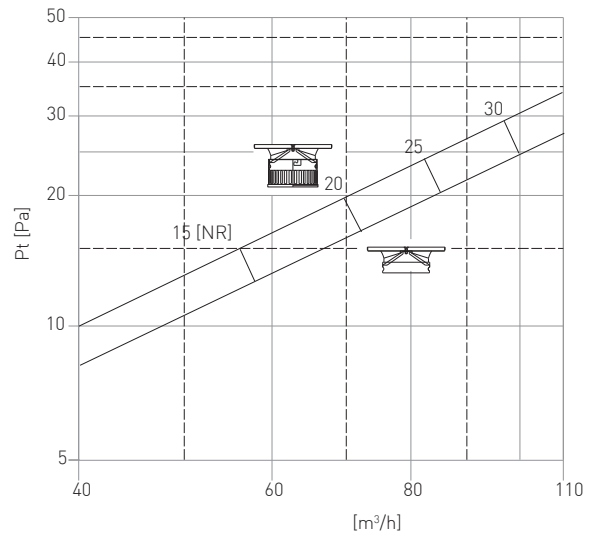
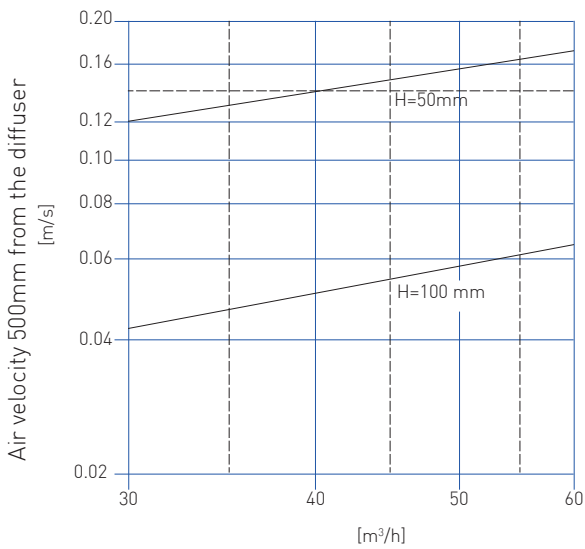
DIP225



PERFORMANCE TABLES



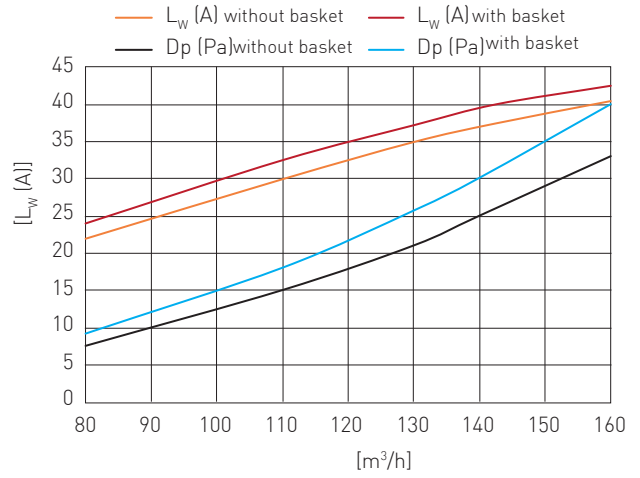
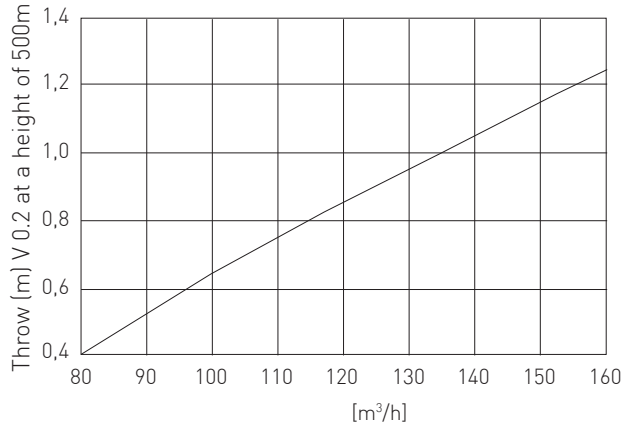
DIP125



DIP160

DIP

Floor diffuser



DIP225