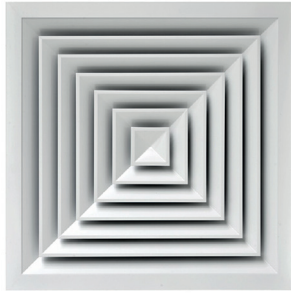


DQBS

4-way multidirectional diffuser



Product

DQBS

Application

Ceiling mounted, supply and return
Installation height: 2.5-3.1 m

Construction

Anodized aluminium painted RAL 9016

SPECIFICATION

4-way multidirectional diffuser with removable centre

MOUNTING

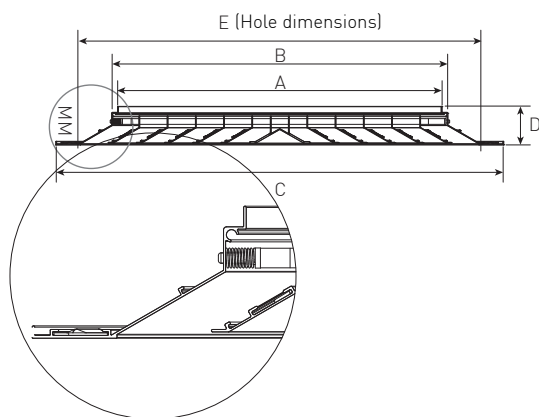
Concealed screw mounting on the diffuser neck

ACCESSORIES

Standard (PDOS/PDVS) or insulated (PDOI/PDVI) galvanised steel plenum.
SEDQ balancing damper with opposed blade movement

DIMENSIONS

DQBS mm	A mm	B mm	C mm	D mm	E mm
150x150	140	150	300	50	240x240
225x225	215	225	375	50	315x315
300x300	290	300	450	50	390x390
375x375	365	375	525	50	465x465
450x450	435	445	595	50	535x535



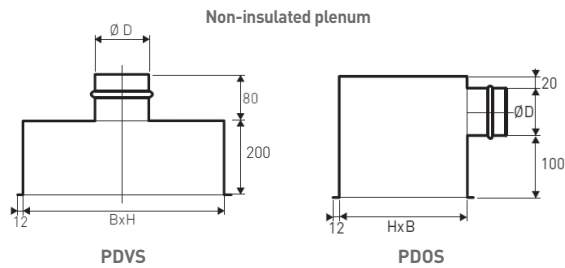


Diffusion

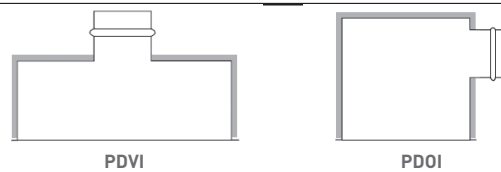
Components
for perfect air
distribution in HVAC
systems

PLENUM DIMENSIONS PDOS/PDVS

BxH mm	Ø D mm
150x150	122
225x225	147
300x300	197
375x375	197
450x450	247



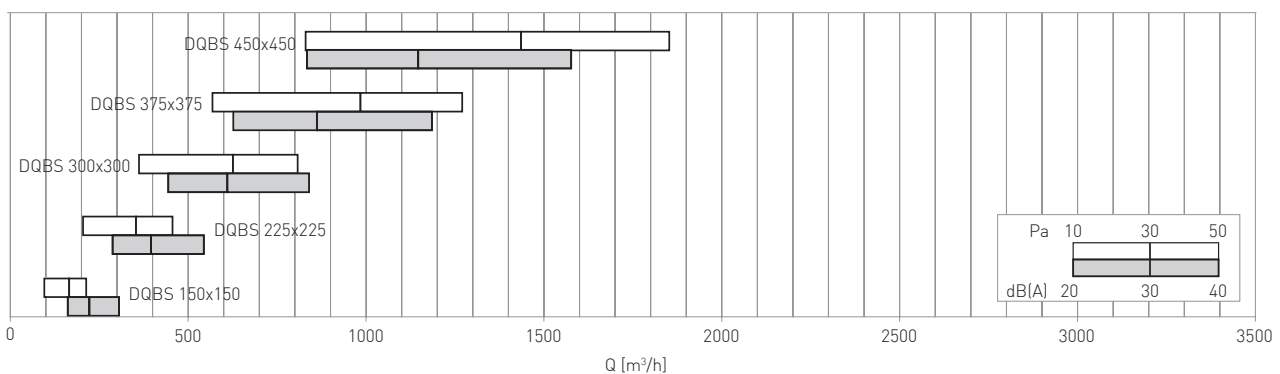
Externally insulated plenum thickness 6 mm



SELECTION TABLE

DQBS Model	Ak m ²	Ways n.	Q [m ³ /h]		L _{WA} [dB(A)]		X _(0.25) [m]		D _{pt} [Pa]	
			min	max	min	max	min	max	min	max
150x150	0,0094	4	100	210	< 20	29	0,80	3,99	10	50
225x225	0,0194	4	200	460	< 20	34	0,92	4,61	10	50
300x300	0,0332	4	360	810	< 20	39	1,03	5,14	10	50
375x375	0,0511	4	570	1270	< 20	42	1,12	5,60	10	50
450x450	0,0729	4	830	1850	< 20	45	1,20	6,01	10	50

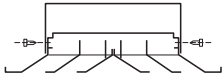
QUICK SELECTION CHART



MOUNTING AND CONNECTION

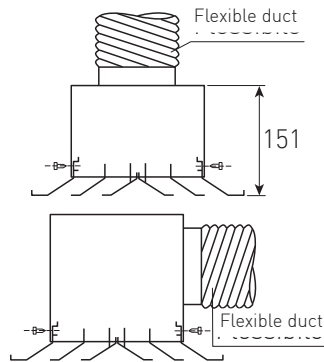
RECTANGULAR DUCT ADAPTER

Encase the diffuser in the duct.
Fix the diffuser with screws.



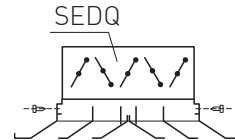
FLEXIBLE DUCT CONNECTOR WITH PLENUM

Encase the diffuser in the duct.
Fix the diffuser with screws.



CALIBRATION

A damper can be installed in any configuration.
Clip the damper onto the diffuser.



SAFETY SYSTEM

