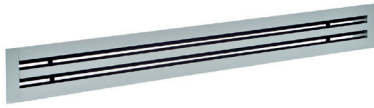


# TDLA/TDLB

## Linear slot diffuser



### Product

TDLA/TDLB

### Construction

Extruded anodised aluminium or RAL 9016 (TDLB)

### SPECIFICATION

Linear diffuser with one or more slots, anodised aluminium (TDLA) or white (TDLB)

### ON REQUEST

TDLA/TDLB with 5, 6, 7 and 8 slots.

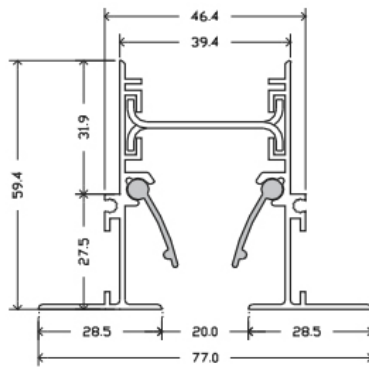
### MOUNTING

Fixing by internal screws and brackets (S3), by suspension (S2) or bracket (CVL)

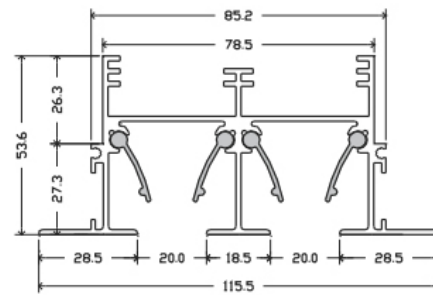
### ACCESSORIES

D - Adjustable black polypropylene deflector.  
S - Damper (mounted on linear diffuser).  
E - Equaliser (mounted on linear diffuser).  
KIT DLA - Mounting kit for continuous linear diffusers.  
Galvanised steel connection plenum (PDLA), with external insulation (PIDLA).  
GDLA - Angle joint

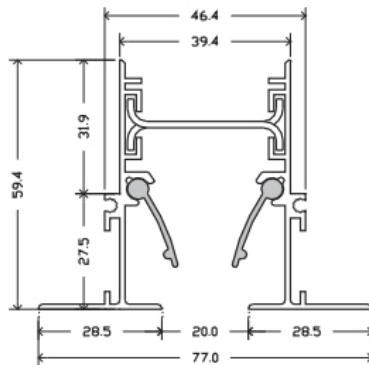
## LINEAR DIFFUSER DIMENSIONS



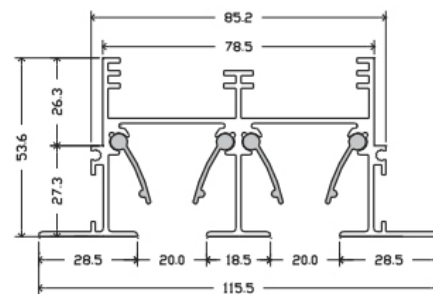
1 SLOT



2 SLOTS



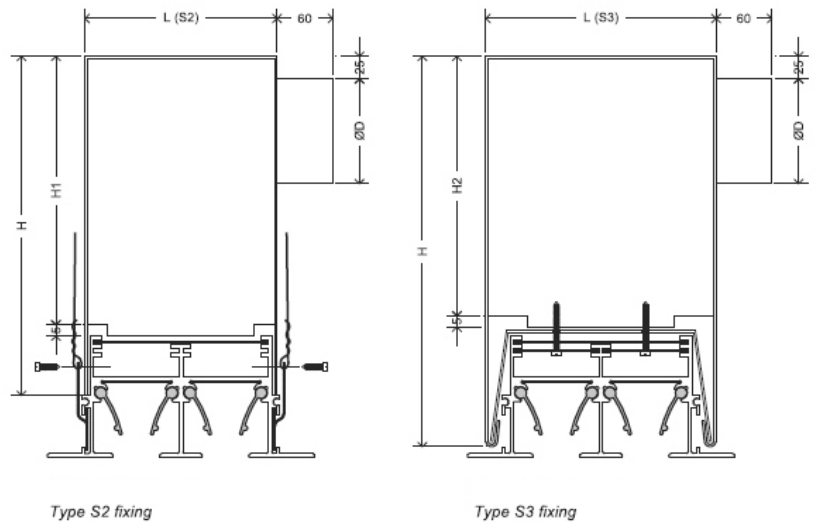
3 SLOTS



4 SLOTS



## PLENUM DIMENSIONS AND INSTALLATION EXAMPLES



NR. SLOTS	DN	H	H1	H2	L (S2)	L (S3)
1	156	300	270	240	45	60
2	196	300	270	240	83	98
3	496	300	270	240	121	137
4	246	300	270	240	160	175

## SELECTION TABLE

### LINEAR DIFFUSER TDLA 1F L= 1000

Noise level	Nr dB	< 20	20	28	35	40	45	50	55	> 55
Churches, libraries										
Hospitals										
Apartments, offices										
Commercial buildings										

Installation height (m)	min									
	max									
Outlet velocity $V_k$	m/s	2	3	4	5	6	7	8	9	10
Flow rate	mc/h	62	93	124	154	185	216	247	278	309
Pressure drop	Pa	7	15	26	39	54	72	92	114	139
Throw	m	1.8	2.7	3.6	4.5	5.4	6.3	7.2	8.1	9

# TDLA/TDLB

Linear slot diffuser

## SELECTION TABLE

LINEAR DIFFUSER TDLA 2F L= 1000

Noise level	Nr dB	< 20	25	30	35	40	45	50	55	> 55
Churches, libraries		██████████								
Hospitals			██████████							
Apartments, offices				██████████						
Commercial buildings					██████████					

Installation height (m)	min									
	max	2.4 3.2								
Outlet velocity V <sub>k</sub>	m/s	2	3	4	5	6	7	8	9	10
Flow rate	mc/h	152	227	303	379	455	530	606	682	758
Pressure drop	Pa	9	19	33	49	69	91	116	145	175
Throw	m	2.5	3.8	5	6.3	7.5	8.8	10	11.3	12.5

## SELECTION TABLE

LINEAR DIFFUSER TDLA 3F L= 1000

Noise level	Nr dB	< 20	28	35	40	45	50	55	> 55	> 55
Churches, libraries		██████████								
Hospitals		██████████								
Apartments, offices			██████████							
Commercial buildings			██████████							

Installation height (m)	min									
	max	2.4 3.2								
Outlet velocity V <sub>k</sub>	m/s	2	3	4	5	6	7	8	9	10
Flow rate	mc/h	256	384	512	640	769	897	1025	1153	1281
Pressure drop	Pa	11	22	37	56	79	105	134	166	202
Throw	m	31	47	62	78	93	109	124	14	155



Diffusion

Components  
for perfect air  
distribution in HVAC  
systems

## SELECTION TABLE

### LINEAR DIFFUSER TDLA 4F L= 1000

Noise level	Nr dB	22	28	33	38	43	48	53	> 55	> 55
Churches, libraries		█								
Hospitals			█							
Apartments, offices				█						
Commercial buildings					█					

Installation height (m)	min									
	max	2.4 3.2								
Outlet velocity $V_k$	m/s	2	3	4	5	6	7	8	9	10
Flow rate	mc/h	372	558	744	930	1115	1301	1487	1673	1859
Pressure drop	Pa	12	24	41	62	87	116	148	183	222
Throw	m	3.6	5.4	7.2	9	10.8	12.6	14.4	16.2	18