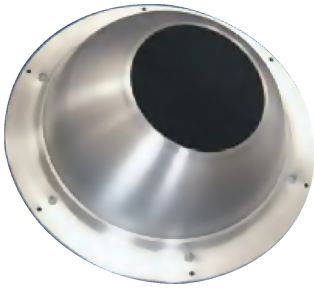


ULG

Long-throw nozzle diffuser



Product

ULG

Application

Wall or ceiling mounted, supply

Construction

Made in aluminium, weld-free
Natural satin with transparent primer

SPECIFICATION

Long-throw nozzle diffuser.
Deep manually adjustable
In any direction with a maximum angle of 30°.

MOUNTING

Front screw mounting directly on duct,
with circular duct adapter or flexible duct
adapter.

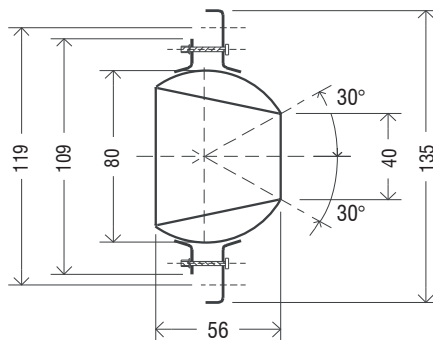
ACCESSORIES

Actuator (ULGM)
Double disc perforated damper
Screw cover ring
Twist
Circular duct adapter
Flexible duct adapter

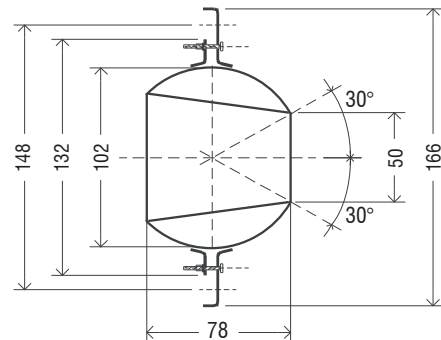
OPTIONS

RAL 9010 painting on request

DIMENSIONS



ULG 40

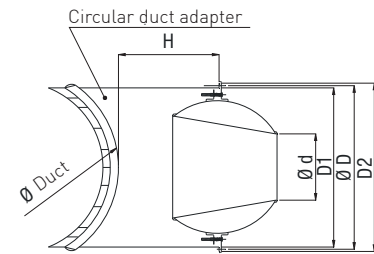


ULG 50



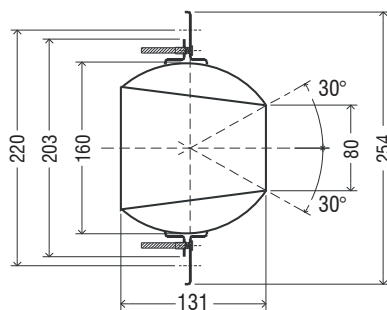
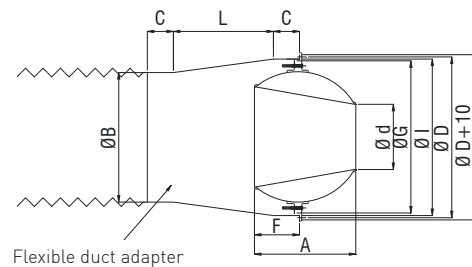
DIMENSIONS FOR CIRCULAR DUCT ADAPTER

Model	360° holes n.	D mm	d mm	D1 mm	D2 mm	H mm	Ø Duct mm
ULG 40	3F Ø4,2	119	40	109	129	150	160-450
ULG 50	3F Ø4,2	148	50	138	158	150	200-500

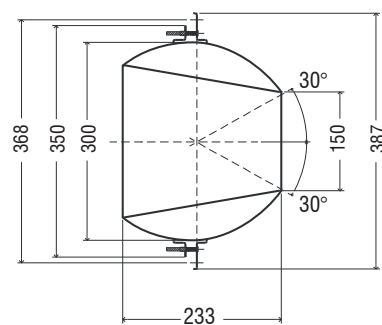


DIMENSIONS FOR FLEXIBLE DUCT ADAPTER

Model	D mm	d mm	A mm	F mm	B mm	G mm	I mm	L mm	C mm
ULG 40	119	40	56	22	78	109	113	40	40
ULG 50	148	50	78	30	98	132	138	40	60



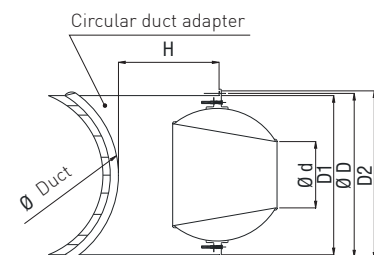
ULG 80



ULG 150

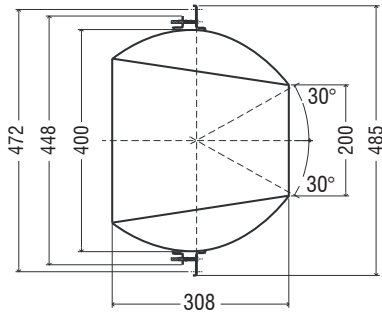
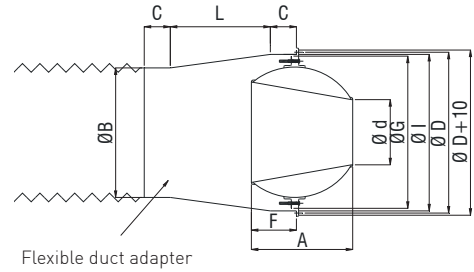
DIMENSIONS FOR CIRCULAR DUCT ADAPTER

Model	360° holes n.	D mm	d mm	D1 mm	D2 mm	H mm	Ø Duct mm
ULG 80	3F Ø5	220	80	210	230	200	160-450
ULG 150	3F Ø5	368	150	358	378	300	500-800

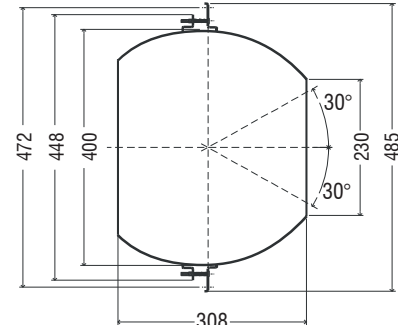


DIMENSIONS FOR FLEXIBLE DUCT ADAPTER

Model	D mm	d mm	A mm	F mm	B mm	G mm	I mm	L mm	C mm
ULG 80	220	80	131	57	158	203	210	100	60
ULG 150	368	150	233	103	288	350	358	170	60



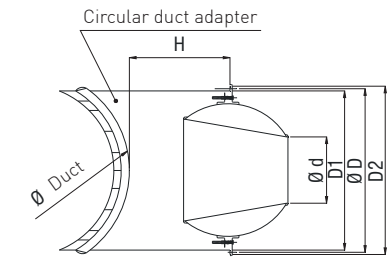
ULG 200



ULG 230

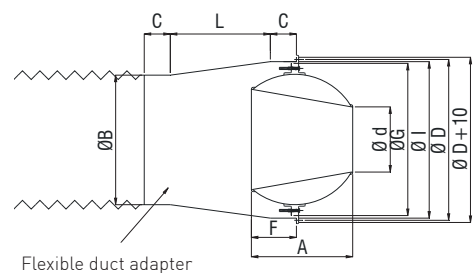
DIMENSIONS FOR CIRCULAR DUCT ADAPTER

Model	360° holes n.	D mm	d mm	D1 mm	D2 mm	H mm	Ø Duct mm
ULG 200	6F Ø5	472	200	460	480	350	500-1000
ULG 230	6F Ø5	472	230	460	480	350	500-1000



DIMENSIONS FOR FLEXIBLE DUCT ADAPTER

Model	D mm	d mm	A mm	F mm	B mm	G mm	I mm	L mm	C mm
ULG 200	472	200	308	141	398	448	462	170	230
ULG 230	472	230	308	141	398	448	462	170	230





Diffusion

Components
for perfect air
distribution in HVAC
systems

QUICK SELECTION TABLE

Throw [m]	8	10	12	15	20	25	30
Noise level NR dB	12	17	22	27	32	37	42
Churches/libraries							
Open offices, exhibitions							
Industrial buildings							
Velocity VK [m/s]	5	6	7	8	10	12	14
Pressure Drop [Pa]	30	38	48	60	85	120	170
Flow rate [m ³ /h]							
ULG 40	20	27	31	36	45	54	
ULG 50	40	48	55	64	81	97	
ULG 80	90	110	130	140	180	220	
ULG 150	320	380	450	510	640	760	
ULG 200	570	680	790	900	1130	1360	1580
ULG 230	600	865	970	1154	1442	1730	2019

		ULG 40	ULG 50	ULG 80	ULG 150	ULG 200	ULG 230
Minimum distance	mm	150	150	350	500	600	600
Minimum height	m	2,0	2,0	2,8	3,0	3,5	3,5
Maximum height	m	3,8	4,0	4,0	7,0	8,0	11,0