



Product

VVP

Construction

White RAL 9016 polypropylene with fixing collar

SPECIFICATION

Supply and return valve

APPLICATION

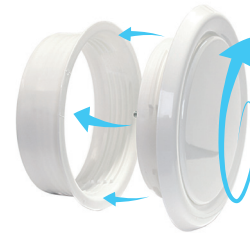
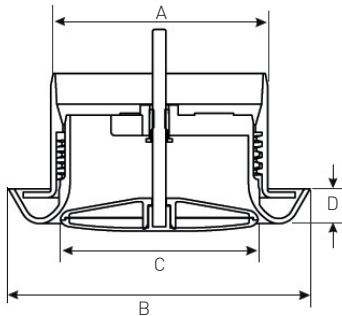
Ceiling mounted, return

INSTALLATION HEIGHT

2,5 - 3,0 m

DIMENSIONS

VVP Model	A mm	B mm	C mm	D mm
100	99	149	89	20
125	124	165	109	20
160	158	195	130	20
200	199	230	177	20



VVP

SELECTION TABLE

VVP Model	Air flow m ³ /h	Air flow l/s	Opening mm	Delta Pt (Pa)	dBA
VVP 100	54	15	15	25	25
	72	20	18	40	30
	108	30	20	80	38
VVP 125	72	20	9	58	38
	108	30	17	68	35
	144	40	23	70	35
VVP 160	108	30	10	70	40
	144	40	18	68	35
	180	50	25	70	33
VVP 200	108	30	17	60	38
	144	40	22	68	35
	180	50	25	72	35

VVP

Polypropylene supply and return valve

QUICK SELECTION CHART

