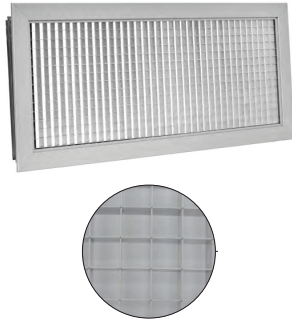


BDR

Square mesh grille



Product

BDR

Application

Wall-mounted, supply or return

Construction

Anodised aluminium or BDRB white RAL 9016

SPECIFICATION

Square mesh grille 13x13 mm

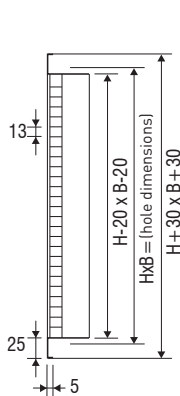
MOUNTING

Standard with clips.
Screw holes on request

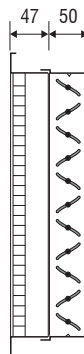
ACCESSORIES

KSEL Galvanized steel balancing damper with opposed-blade movement.
KCTC Mounting sub-frame in galvanized steel sheet.
PBOS/PBOI Standard and insulated galvanized steel plenum

DRAWINGS



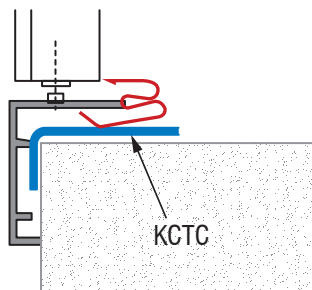
BDR



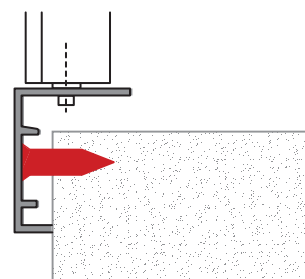
BDR + KSEL



KCTC



Standard
CLIP MOUNTING



SCREW MOUNTING

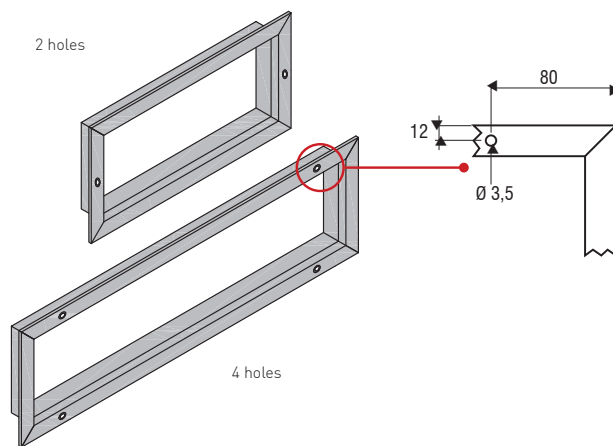


Diffusion

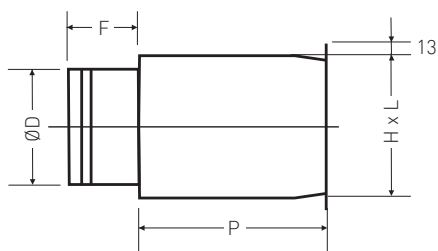
Components
for perfect air
distribution in HVAC
systems

NUMBER OF HOLES FOR FIXING SCREWS

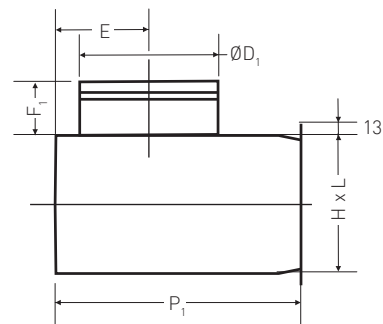
Shorter side mm	Longer side				
	200	250	300	350	≥ 400
100	2	2	2	4	4
150	2	2	2	4	4
200	2	2	2	4	4
≥250	2	2	2	4	4



PLENUM



PBOS-PB0I
Plenum with rear connection



PBVS-PBVI
Plenum with side connection

SELECTION TABLE

BDR Model	A _k m ²	Q [m ³ /h]		L _{WA} [dB(A)]		Dpt [Pa]	
		min	max	min	max	min	max
200x100	0,0111	140	270	-	38	5	20
300x100	0,0176	220	430	22	41	5	20
400x100	0,0245	300	590	23	42	5	20
500x100	0,0316	390	760	24	43	5	20
600x100	0,0390	480	940	25	44	5	20
800x100	0,0542	660	1300	26	46	5	20
1000x100	0,0700	850	1670	27	47	5	20
1200x100	0,0863	1040	2060	28	48	5	20
200x150	0,0176	220	430	22	41	5	20
300x150	0,0280	340	680	23	43	5	20
400x150	0,0390	480	940	25	44	5	20
500x150	0,0504	610	1210	26	45	5	20
600x150	0,0621	750	1490	27	46	5	20
800x150	0,0863	1040	2060	28	48	5	20
1000x150	0,1115	1340	2650	29	49	5	20
1200x150	0,1374	1650	3250	30	50	5	20
200x200	0,0245	300	590	23	42	5	20
300x200	0,0390	480	940	25	44	5	20
400x200	0,0542	660	1300	26	46	5	20
500x200	0,0700	850	1670	27	47	5	20
600x200	0,0863	1040	2060	28	48	5	20
800x200	0,1201	1440	2850	30	49	5	20
1000x200	0,1550	1860	3660	31	50	5	20
1200x200	0,1911	2280	4500	32	51	5	20
200x300	0,0390	480	940	25	44	5	20
300x300	0,0621	750	1490	27	46	5	20
400x300	0,0863	1040	2060	28	48	5	20
500x300	0,1115	1340	2650	29	49	5	20
600x300	0,1374	1650	3250	30	50	5	20
800x300	0,1911	2280	4500	32	51	5	20
1000x300	0,2468	2940	5790	33	52	5	20
1200x300	0,3042	3610	7110	34	53	5	20



Diffusion

Components
for perfect air
distribution in HVAC
systems

SELECTION TABLE

BDR Model	A _k m ²	Q [m ³ /h]		L _{WA} [dB(A)]		Dpt [Pa]	
		min	max	min	max	min	max
200x400	0,0542	660	1300	26	46	5	20
300x400	0,0863	1040	2060	28	48	5	20
400x400	0,1201	1440	2850	30	49	5	20
500x400	0,1550	1860	3660	31	50	5	20
600x400	0,1911	2280	4500	32	51	5	20
800x400	0,2657	3160	6230	33	53	5	20
1000x400	0,3432	4070	8010	34	54	5	20
1200x400	0,4230	5000	9850	35	55	5	20
200x500	0,0700	850	1670	27	47	5	20
300x500	0,1115	1340	2650	29	49	5	20
400x500	0,1550	1860	3660	31	50	5	20
500x500	0,2002	2390	4710	32	51	5	20
600x500	0,2468	2940	5790	33	52	5	20
800x500	0,3432	4070	8010	34	54	5	20
1000x500	0,4433	5240	10310	35	55	5	20
1200x500	0,5463	6430	12670	36	56	5	20
200x600	0,0863	1040	2060	28	48	5	20
300x600	0,1374	1650	3250	30	50	5	20
400x600	0,1911	2280	4500	32	51	5	20
500x600	0,2468	2940	5790	33	52	5	20
600x600	0,3042	3610	7110	34	53	5	20
800x600	0,4230	5000	9850	35	55	5	20
1000x600	0,5463	6430	12670	36	56	5	20
1200x600	0,6733	7910	15570	37	57	5	20
200x800	0,1201	1440	2850	30	49	5	20
300x800	0,1911	2280	4500	32	51	5	20
400x800	0,2657	3160	6230	33	53	5	20
500x800	0,3432	4070	8010	34	54	5	20
600x800	0,4230	5000	9850	35	55	5	20
800x800	0,5883	6920	13630	37	56	5	20
1000x800	0,7597	8910	17540	38	57	5	20
1200x800	0,9363	10940	21550	39	58	5	20
595x595EC	0,2639	3140	6190	33	53	5	20

QUICK SELECTION CHART

