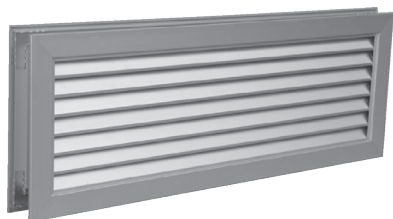


# GTA

## Aluminium transfer grille



### Product

GTA

### Construction

Anodized aluminium  
GTB Transfer grille painted white RAL 9016

### SPECIFICATION

Transfer grille with counter-frame

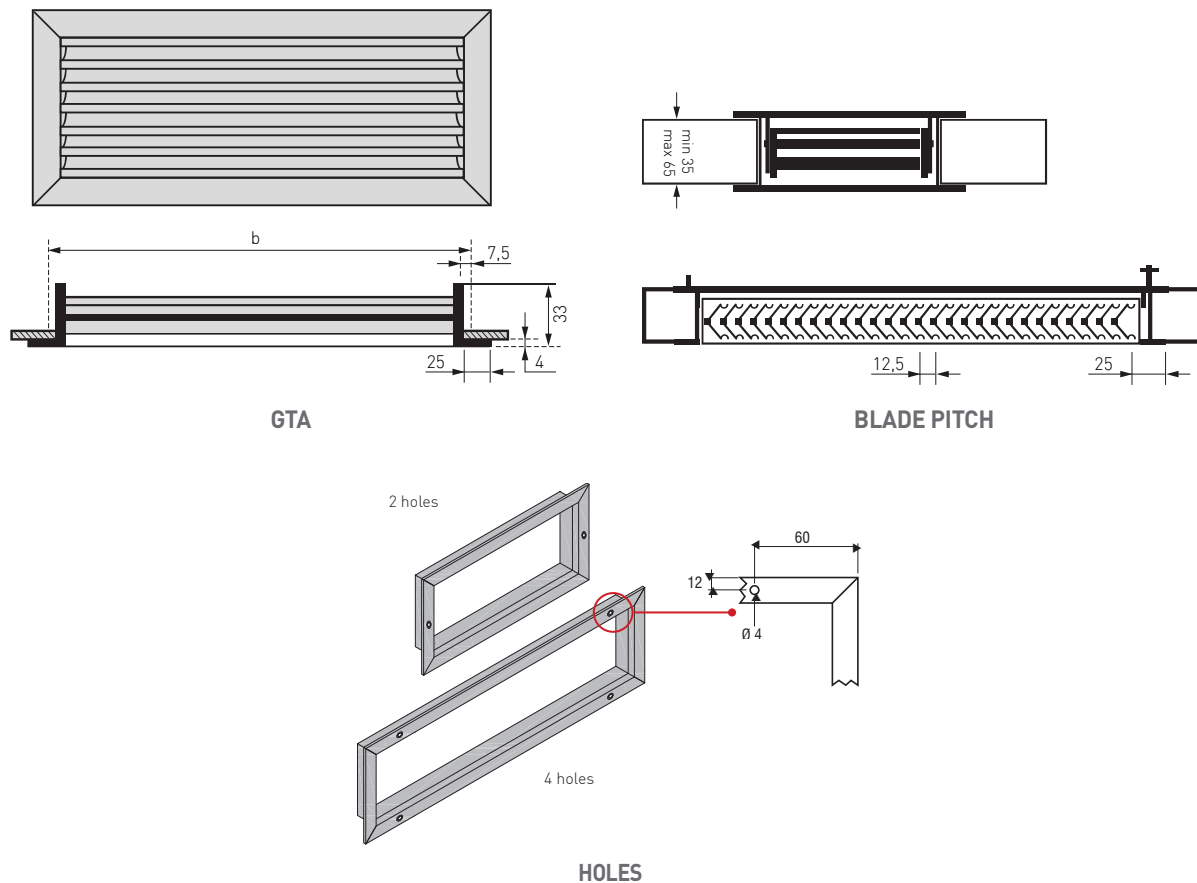
### APPLICATION

For air passage through doors or on drywall walls

### MOUNTING

Screw mounting

### DRAWINGS



### NUMBER OF HOLES FOR FIXING SCREWS

Shorter side mm	200	250	Longer side 300	350	≥ 400
100	2	2	2	4	4
150	2	2	2	4	4
200	2	2	2	4	4
≥250	2	2	2	4	4



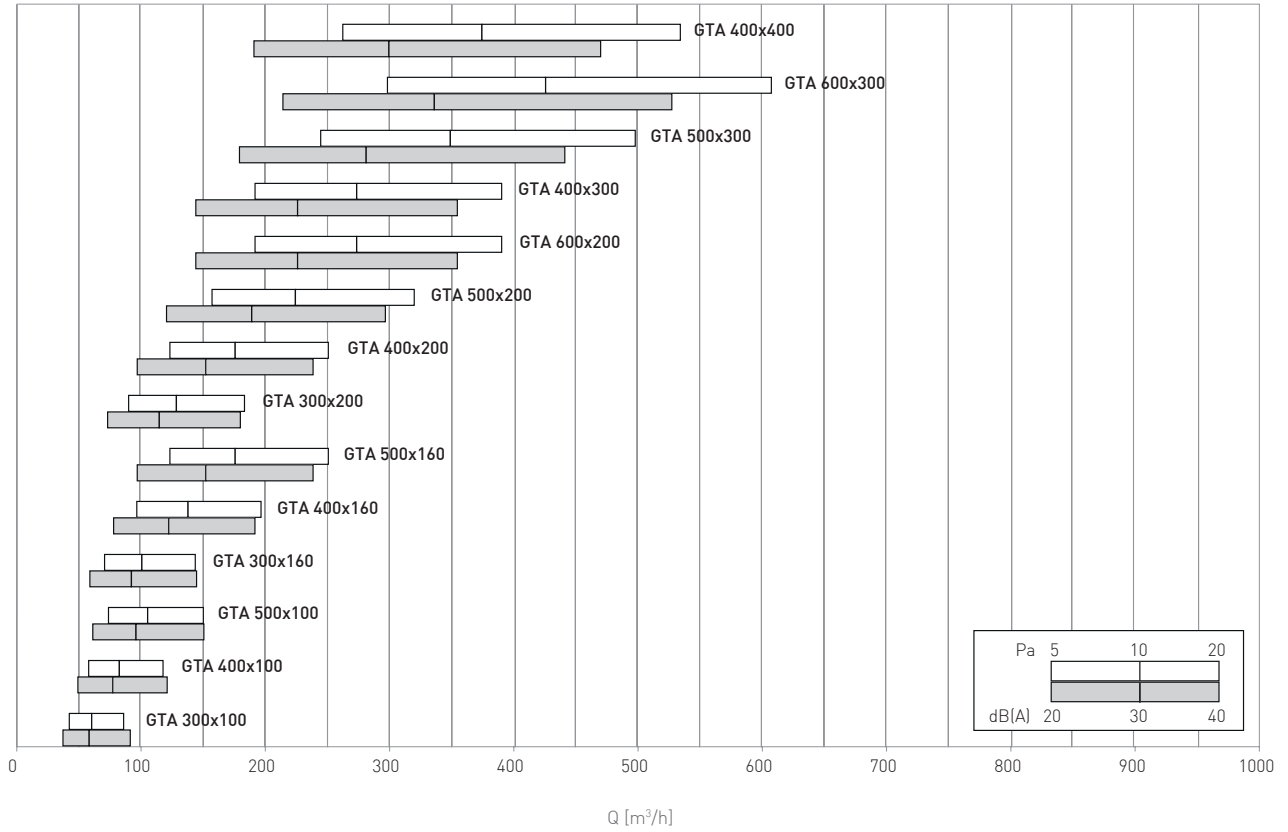
# Diffusion

Components  
for perfect air  
distribution in HVAC  
systems

## SELECTION TABLE

GTA Model	A <sub>k</sub> m <sup>2</sup>	Q [m <sup>3</sup> /h]		L <sub>WA</sub> [dB(A)]		Dpt [Pa]	
		min	max	min	max	min	max
200x100	0,0140	30	60	24	39	5	20
300x100	0,0209	40	90	22	40	5	20
400x100	0,0276	60	120	24	40	5	20
500x100	0,0344	70	150	23	40	5	20
600x100	0,0411	90	180	25	40	5	20
700x100	0,0478	110	220	26	41	5	20
300x160	0,0330	70	140	24	39	5	20
400x160	0,0438	100	200	26	41	5	20
500x160	0,0545	120	250	25	41	5	20
600x160	0,0651	150	310	26	42	5	20
700x160	0,0757	180	360	26	42	5	20
200x200	0,0276	60	120	24	40	5	20
300x200	0,0411	90	180	25	40	5	20
400x200	0,0545	120	250	25	41	5	20
500x200	0,0678	160	320	26	42	5	20
600x200	0,0810	190	390	26	42	5	20
700x200	0,0942	230	460	27	42	5	20
300x300	0,0611	140	290	26	42	5	20
400x300	0,0810	190	390	26	42	5	20
500x300	0,1007	240	500	26	43	5	20
600x300	0,1204	300	610	27	43	5	20
400x400	0,1073	260	530	27	43	5	20
500x400	0,1335	330	680	27	43	5	20
600x400	0,1595	410	830	28	44	5	20
700x400	0,1855	480	980	28	44	5	20

## QUICK SELECTION CHART



N.B. Grilles are always available with counter-frame included