

SRC/SRCM

Circular balancing damper



Diffusion

Components
for perfect air
distribution in HVAC
systems



Product

SRC/SRCM

Application

Duct-mounted

Actuation

With manual control or actuator

SPECIFICATION

Circular galvanised steel balancing damper

CONSTRUCTION

Casing and blade in galvanised steel

VERSIONS

SRC Damper with manual control mounted.

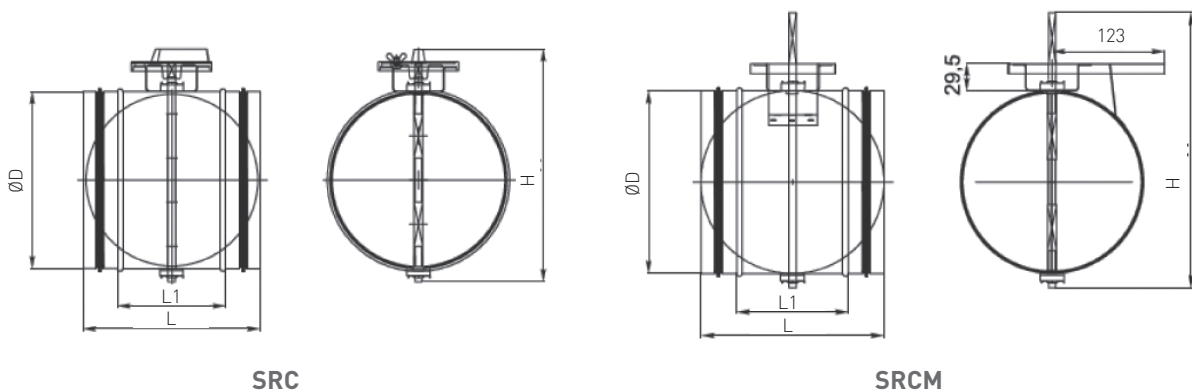
SRCM Galvanised damper prepared for actuator.

Heavy version up to Ø1200mm

DIMENSIONAL

SRC Model	ØD mm	L1 mm	L mm	H mm	SRCM Model	ØD mm	L1 mm	L mm	H mm
100	98	100	200	165	100	98	100	200	230
125	123	100	200	190	125	123	100	200	255
160	158	100	200	225	160	158	100	200	290
200	198	100	200	265	200	198	100	200	330
250	248	100	200	315	250	248	100	200	380
315	313	140	240	380	315	313	140	240	445
355	353	140	240	420	355	353	140	240	485
400	398	140	240	470	400	398	140	240	535
450	448	140	240	515	450	448	140	240	580
500	498	140	240	565	500	498	140	240	630

DRAWINGS



SRC/SRCM

Circular balancing damper

SELECTION TABLE

BxH mm	A _k m ²	v [m/s]		Q [m ³ /h]		Dp [α=40°] [Pa]		L _{WA} [α=40°] [dB(A)]	
		min	max	min	max	min	max	min	max
SRC-80	0,0050	3	6	50	110	51	205	41	58
SRC-100	0,0079	3	6	80	170	51	205	42	58
SRC-125	0,0123	3	6	130	270	51	205	43	58
SRC-150	0,0177	3	6	190	380	51	205	44	58
SRC-160	0,0201	3	6	220	430	51	205	44	58
SRC-180	0,0254	3	6	270	550	51	205	45	58
SRC-200	0,0314	3	6	340	680	51	205	45	61
SRC-224	0,0394	3	6	430	850	51	205	45	61
SRC-250	0,0491	3	6	530	1060	51	205	46	61
SRC-300	0,0707	3	6	760	1530	51	205	47	61
SRC-315	0,0779	3	6	840	1680	51	205	47	61
SRC-355	0,0990	3	6	1070	2140	51	205	47	61
SRC-400	0,1257	3	6	1360	2710	51	205	48	62
SRC-450	0,1590	3	6	1720	3440	51	205	48	62
SRC-500	0,1963	3	6	2120	4240	51	205	49	62
SRC-560	0,2463	3	6	2660	5320	51	205	49	62
SRC-600	0,2827	3	6	3050	6110	51	205	50	62
SRC-630	0,3117	3	6	3370	6730	51	205	50	63

QUICK SELECTION CHART

