

RPMV

Circular variable flow rate regulator



Product

RPMV

Construction

Body and finish in galvanized steel
Thickness acc. EN 1751 Tightness Class C

Actuation

0-10 Volt signal.
Power supply 24 Volt

SPECIFICATION

Variable flow rate regulator.
Nominal size DN 80 ÷ DN 630.
Length L = 450/600 mm.
Flow rate 35 ÷ 13500 m³/h.
Precision ±8% for velocities below 3m/s,
±5% for higher velocities

APPLICATIONS

Allows regulation of supply or exhaust air flow in ventilation systems.
Possibility to manage regulation through flow rate control, or pressure control in a duct or room

WORKING CONDITIONS

Correct regulator operation is ensured under the following conditions:

- maximum air flow velocity 12 m/s
- maximum duct pressure 1000 Pa

DIMENSIONAL

Dimensions mm	Ø D mm	L mm	L ₁ mm	N mm	N ₁ mm	W mm	M mm	Belimo actuator Model
80	80	450	344	179	22	66	71	LM 24A-V / 227 VM-024-05
100	100	450	344	179	22	66	71	LM 24A-V / 227 VM-024-05
125	125	450	344	179	22	66	71	LM 24 A-V / 227 VM-024-05
140	140	450	344	179	22	66	71	LM 24A-V / 227 VM-024-05
160	160	450	344	179	22	66	71	LM 24 A-V / 227 VM-024-05
180	180	450	344	179	22	66	71	LM 24 A-V / 227 VM-024-05
200	200	450	344	179	22	66	71	LM 24 A-V / 227 VM-024-05
225	225	450	344	179	22	66	71	LM 24 A-V / 227 VM-024-05
250	250	450	344	179	22	66	71	LM 24 A-V / 227 VM-024-05
280	280	450	344	179	22	66	71	LM 24 A-V / 227 VM-024-05
315	315	450	344	179	22	66	71	LM 24 A-V / 227 VM-024-05
355	355	450	344	187	25	80	72	NM 24 A-V / 227 VM-024-10
400	400	450	344	187	25	80	72	NM 24 A-V / 227 VM-024-10
500	500	600	494	187	25	80	72	NM 24 A-V / 227 VM-024-10
630	630	600	494	202	30	1,353846	0,973684	SM 24 A-V / 227 VM-024-15

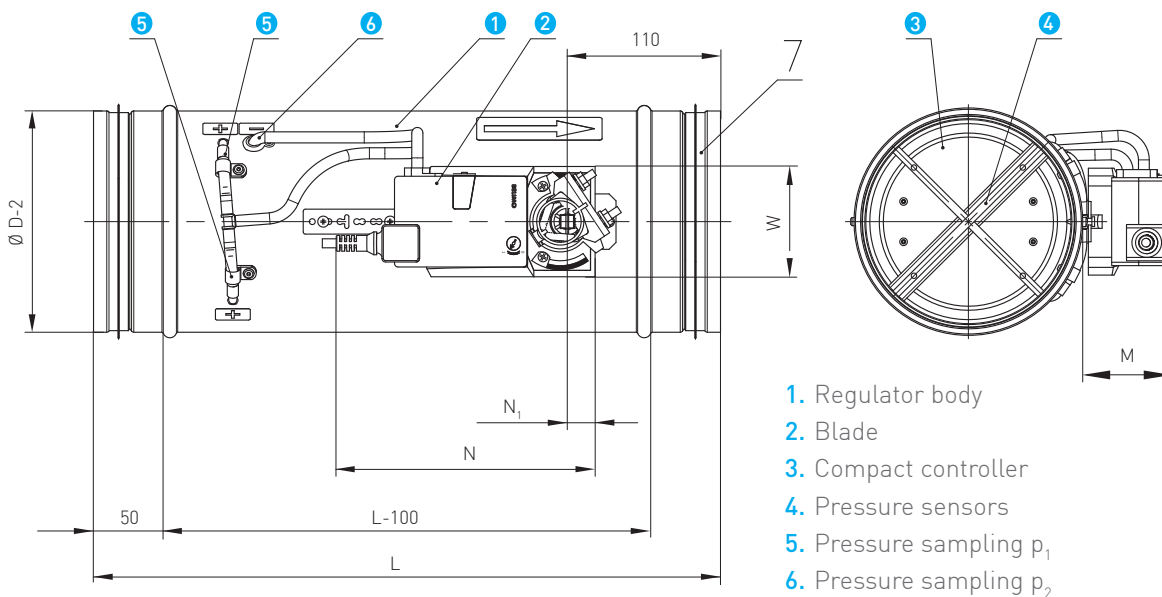


Diffusion

Components
for perfect air
distribution in HVAC
systems

PERFORMANCE DATA

Dimensions mm	Air Flow Rate					
	Minimum ($w \approx 1\text{m/s}$)	Standard values Maximum ($w \approx 7\text{m/s}$)	V_{nom}	Minimum ($w \approx 1\text{m/s}$)	Maximum values Maximum ($w \approx 12\text{m/s}$)	V_{nom}
80	18	125	125	18	220	220
100	30	200	200	30	350	350
125	45	310	310	45	550	550
140	55	400	400	55	700	700
160	70	500	500	70	900	900
180	90	650	650	90	1200	1200
200	115	800	800	115	1400	1400
225	145	1000	1000	145	1800	1800
250	180	1250	1250	180	2200	2200
280	220	1550	1550	220	2800	2800
315	280	2000	2000	280	3500	3500
355	355	2500	2500	355	4500	4500
400	455	3200	3200	455	5800	5800
500	710	5000	5000	710	8500	8500
630	1120	7900	7900	1120	13500	13500



RPMV