

GRSIL

Galvanized steel acoustic outdoor air intake grille



Product

GRSIL

Construction

Galvanised steel sheet frame, 1.5 mm thick
Galvanised steel sheet blades pitch 150, 1.0 mm thick

Execution

In natural or anodised aluminium

SPECIFICATION

Acoustic outdoor air intake grilles used to combine the normal air intake and exhaust function with noise reduction

LABORATORY TESTS

Pressure drop tests performed according to the standard UNI CTI 8728 at the Giordano Institute (test report N. 136363).
Attenuation tests carried out according to EN ISO 11691 at the Giordano Institute (Test Report No. 149876)

ACCESSORIES

Bird screen

VERSIONS

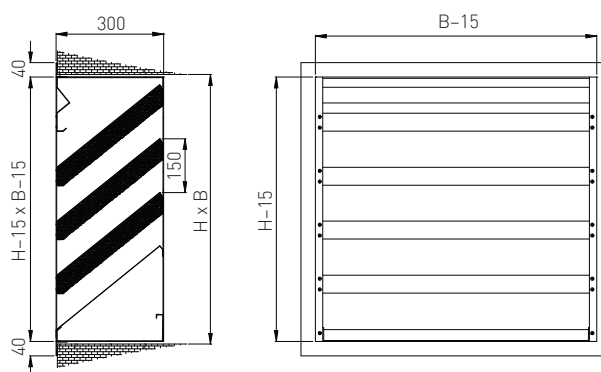
- thickness 300 or 600
with blade pitch 150
- thickness 140 or 280
with blade pitch 100

WARNING - The 3 m/s limit depends on water droplet entrainment. Laboratory tests have shown that up to this velocity, water droplets fall along the profile by gravity while

DIMENSIONAL

Nominal "B" values range from 300 mm to 2500 mm in 100 mm intervals.

Nominal "H" values range from 450 mm to 2250 mm in 150 mm intervals.



GRSIL



PRESSURE DROP

V ms	ΔP_t Pa
1,0	7
1,5	16
2,0	28
2,5	46
3,0	66

V: velocity referred to the section (B-35)x(H-215) [m/s]

Δp_t : total pressure drop [Pa]

ATTENUATION

Frequency Hz	Single execution dB	Double execution dB
125	6	8
250	8	14
500	10	16
1000	14	26
2000	18	33
4000	16	28
8000	15	27