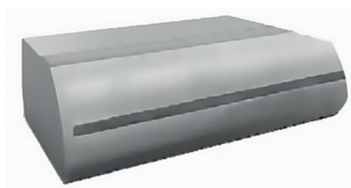


BLA2

Air curtain for installation up to 4-5 m



Product	BLA2
Length	100 – 150 – 200 e 250 cm.
Air flow rate	Up to 6300 m ³ /h

SPECIFICATION

High performance air curtain, used in representative buildings such as airports, theatres, museums, administrative offices, hotels.

BLA 2 is available in two ranges, to be selected based on the opening height to be protected:

BLA 2 B for installation height up to 4.0 m

BLA 2 C for installation height up to 5.0 m



WATER HEATING



ELECTRIC HEATING



WITHOUT HEATING

APPLICATION

Installation height up to 4-5 m

CHARACTERISTICS

- FACE 2 in 1: the micro-perforated suction grille has a filter function.
- Adjustable supply grille.
- V: Water heating.
- E: Electric heating.
- S: Without heating.
- Electric heating elements with immediate heating, without inertia.
- Electric heating versions: power supply V400/3/50.
- Water or no heating versions: power supply V230/1/50.
- Choice of multiple control module types: manual switching. (BASIC) or touch-screen (COMFORT).
- Possibility to chain multiple air curtains under the same panel.
- Standard colour RAL 9016; any RAL colour on request





Diffusion

Components
for perfect air
distribution in HVAC
systems

PERFORMANCE UNDER STANDARD CONDITIONS

BLA2-B MAXIMUM INSTALLATION HEIGHT 4.0 METRES

Model	Air flow rate m ³ /h			Sound pressure at 3 m dB(A)			Increase Temp. °C	Power [kW/A]	Wt. kg
	Speed 3	Speed 2	Speed 1	Speed 3	Speed 2	Speed 1			
BLA 2 B-10S	1626	1182	813	56,0	47,9	39,8	-	0,65 / 2,85	42
BLA 2 B-15S	2513	1774	1256	58,7	50,9	43,2	-	1 / 4,4	59
BLA 2 B-20S	3362	2328	1626	59,7	51,8	43,8	-	1,3 / 5,7	76
BLA 2 B-25S	4065	2956	2106	60,8	53,4	44,8	-	1,6 / 7,0	93
BLA 2 B-10E	1589	1145	813	56,0	47,9	39,8	17,8	10,3 / 16,6	46
BLA 2 B-15E	2476	1700	1219	58,7	50,9	43,2	18,05	10,3 / 16,6	63
BLA 2 B-20E	3362	2291	1589	59,7	51,8	43,8	16,84	20,3 / 33,2	81
BLA 2 B-25E	3991	2919	2069	60,8	53,4	44,8	18,3	26,1 / 42,0	99
BLA 2 B-10V	1552	1109	776	55,8	47,9	39,7	39,5	0,65 / 2,85	48
BLA 2 B-15V	2439	1663	1182	57,6	49,4	41,6	40,6	1,0 / 4,4	65
BLA 2 B-20V	3252	2180	1552	59,3	51,0	42,9	41,5	1,3 / 5,7	83
BLA 2 B-25V	3880	2734	1884	60,6	52,7	45,4	42	1,6 / 7,0	97

BLA2-C MAXIMUM INSTALLATION HEIGHT 5.0 METRES

Model	Air flow rate m ³ /h			Sound pressure at 3 m dB(A)			Increase Temp. °C	Power [kW/A]	Wt. kg
	Speed 3	Speed 2	Speed 1	Speed 3	Speed 2	Speed 1			
BLA 2 C-10S	2303	1656	1172	59,6	51,7	43,6	-	0,95 / 4,0	48
BLA 2 C-15S	3353	2424	1737	60,0	52,1	44,2	-	1,35 / 5,6	64
BLA 2 C-20S	4161	2990	2101	60,3	52,6	44,5	-	1,7 / 7,0	80
BLA 2 C-25S	5090	3636	2666	61,1	53,4	45,6	-	2,0 / 8,7	98
BLA 2 C-10E	2262	1616	1131	59,6	51,7	43,6	12,5	10,6 / 17,6	53
BLA 2 C-15E	3272	2384	1697	60,0	52,1	44,2	13,66	17,0 / 27,5	68
BLA 2 C-20E	4080	2949	2060	60,3	52,6	44,5	13,88	20,8 / 34,2	86
BLA 2 C-25E	4888	3555	2586	61,1	53,4	45,6	14,94	20,8 / 34,2	110
BLA 2 C-10V	2222	1576	1115	59,1	51,4	42,9	35,1	0,95 / 4,0	55
BLA 2 C-15V	3151	2182	1616	59,7	52,2	43,9	37,3	1,35 / 5,6	70
BLA 2 C-20V	3878	2788	1939	60,2	52,6	44,8	39,3	1,7 / 7,0	88
BLA 2 C-25V	4808	3434	2424	60,7	53,3	45,5	40,8	2,0 / 8,7	108

BLA2

Air curtain for installation up to 4-5 m

WATER COIL PARAMETERS FOR TEMPERATURE DIFFERENCE 90/70°C

Model	Air flow rate m ³ /h	Thermal output kW	Outlet temperature °C	Water flow rate l/s	Pressure drop kPa
BLA 2 B-10V	1552	20,5	57,5	0,25	6
BLA 2 B-15V	2439	33,2	58,6	0,40	17
BLA 2 B-20V	3252	45,2	59,5	0,55	39
BLA 2 B-25V	3880	54,6	60	0,67	56
BLA 2 C-10V	2222	26,1	53,1	0,32	10
BLA 2 C-15V	3151	39,5	55,4	0,48	21
BLA 2 C-20V	3878	51	57,3	0,63	49
BLA 2 C-25V	4808	63,4	57,3	0,77	72

WATER COIL PARAMETERS FOR TEMPERATURE DIFFERENCE 80/60°C

Model	Air flow rate m ³ /h	Thermal output kW	Outlet temperature °C	Water flow rate l/s	Pressure drop kPa
BLA 2 B-10V	1552	16,9	50,4	0,2	5
BLA 2 B-15V	2439	27,5	51,6	0,27	12
BLA 2 B-20V	3252	37,6	52,5	0,46	28
BLA 2 B-25V	3880	45,5	53	0,55	42
BLA 2 C-10V	2222	21,4	46,7	0,26	7
BLA 2 C-15V	3151	32,6	48,9	0,4	17
BLA 2 C-20V	3878	42,4	50,6	0,51	36
BLA 2 C-25V	4808	52,8	50,8	0,64	54

WATER COIL PARAMETERS FOR TEMPERATURE DIFFERENCE 70/50°C

Model	Air flow rate m ³ /h	Thermal output kW	Outlet temperature °C	Water flow rate l/s	Pressure drop kPa
BLA 2 B-10V	1552	13,1	43,3	0,16	3
BLA 2 B-15V	2439	21,7	44,6	0,26	9
BLA 2 B-20V	3252	29,9	45,4	0,36	19
BLA 2 B-25V	3880	36,3	46	0,44	28
BLA 2 C-10V	2222	16,6	40,3	0,2	4
BLA 2 C-15V	3151	25,7	42,4	0,31	11
BLA 2 C-20V	3878	33,7	43,9	0,41	24
BLA 2 C-25V	4808	42	44,1	0,51	37



WATER COIL PARAMETERS FOR TEMPERATURE DIFFERENCE 60/40°C

Model	Air flow rate m ³ /h	Thermal output kW	Outlet temperature °C	Water flow rate l/s	Pressure drop kPa
BLA 2 B-10V	1552	9,37	36	0,11	2
BLA 2 B-15V	2439	15,9	37,4	0,19	7
BLA 2 B-20V	3252	22,1	38,3	0,26	11
BLA 2 B-25V	3880	27	38,8	0,33	18
BLA 2 C-10V	2222	11,8	33,8	0,14	2
BLA 2 C-15V	3151	18,7	35,7	0,23	7
BLA 2 C-20V	3878	24,8	37,1	0,3	14
BLA 2 C-25V	4808	31,2	37,4	0,37	23

WATER COIL REGULATION

We recommend one of these methods: DIVERSION (WITH CAPILLARY) The thermostatic valve V135-3/4B regulates the flow rate by diverting water to the coil or to the return circuit to the boiler, depending on



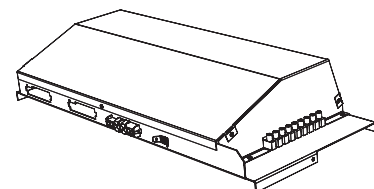
DEVIATION (ON-OFF)

The three-way valve ZV3 with actuator receives the signal from the room thermostat TER-P; the valve channels water to the coil or to the return circuit to the boiler depending on the



CONTROLS

BLA2 air curtains require a control module, to be inserted in the curtain body but supplied separately. The supply will therefore include the curtain and the control module, complete with r



CONTROL MODULE

BASIC (BA) MANUAL SWITCHES use standard 230V cables (not supplied).
COMFORT TOUCH SCREEN (CO) CONTROL PANELS use UTP communication cables (not supplied).

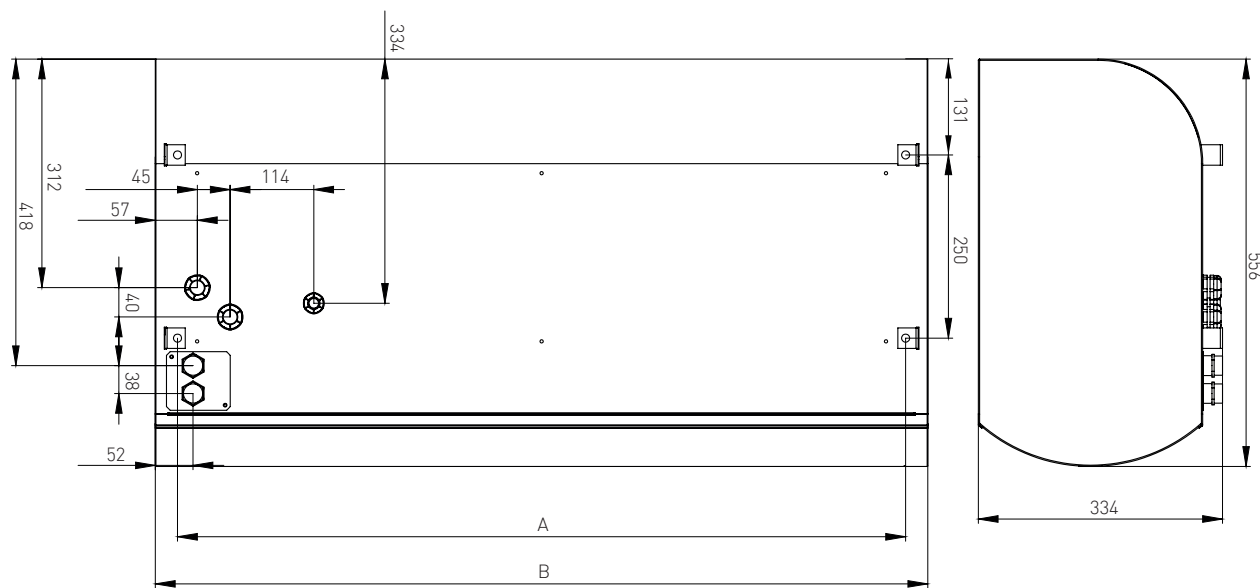
BLA2

Air curtain for installation up to 4-5 m

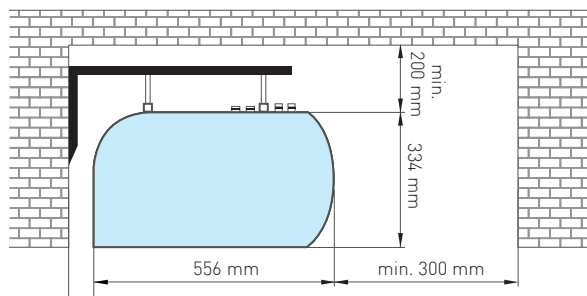
NOTE: with the COMFORT panel it is possible to control 2 or more linked air curtains, i.e. controlled by the same command. In this case, a MASTER control module (...MA) must be ordered, to be installed in the first air curtain, and as many SLAVE modules (...SL) as there are linked air curtains beyond the first one. The MASTER supply includes the control module and the command panel.

DIMENSIONAL

Model	Mounting hole distance A mm	Width B mm
BLA2x-10x-x..	994	1054
BLA2x-15x-x..	1494	1554
BLA2x-20x-x..	1994	2054
BLA2x-25x-x..	2394	2454



BLA2





DISTANCES TO BE OBSERVED

The air curtain can only be installed in horizontal position, and must be positioned as close as possible to the upper edge of the door.

For optimal operation, the air curtain width should exceed the door width by 100 mm on both sides. Observe the distances indicated in the adjacent drawing. To hang the air curtain, use the appropriate brackets.



CONTROL TYPES

Model	BASIC	COMFORT
		
Without heating: CODE →	RGJ-BLA-BA-S	RGJ-BLA-CO-S
Water heating: CODE →	RGJ-BLA-BA-V	RGJ-BLA-CO-V
Electric heating: CODE →	RGJ-BLA-BA-E	RGJ-BLA-CO-E

Summary of available functions

Control type	Switch	Touch-screen
Mode	Manual	Manual/automatic
Air flow regulation	3 speeds	3 speeds
Electric heater regulation	Off/level 1/ level 2	Off/level 1/ level 2
Water heater regulation	On/off	On/off
Possibility to connect a door contact	• (230V)	• (12V)
Regulation possibility based on external signals	•*	•**
Room temperature measurement	-	•
Concatenation	-	• (maximum 10+1)
Selected function indication	•	• (display)
BMS connection	-	• (modbus RTU)
Error indication	-	•

* Room thermostat.

** Room thermostat - remote on/off.

PARTS NOMENCLATURE AND CODING

A BLA2 air curtain is supplied in three parts:

- The AIR CURTAIN BODY, whose dimensional and operating characteristics are described in the previous pages.
- CONTROL MODULE, to be selected from the models shown on this page. The control module must be fixed to the air curtain at the time of installation as per the drawing.
- CONTROL PANEL (supplied with the control module), whose functions are described in the previous page.

