

BLA

Air curtain for height up to 2.5 m



Product

BLA

Length

Nominal length 100 – 150 – 200 cm

Air flow rate

Up to 2600 m³/h

SPECIFICATION

Simple and complete air curtain, suitable for installation on doors of commercial establishments, bars and restaurants

APPLICATION

Can be installed on doors of maximum height 2.5 metres

CHARACTERISTICS

- Wall mounting by brackets (supplied).
- E: Electric heating.
- S: Without heating.
- Electric heating elements with immediate heating, without inertia.
- Airflow adjustable outward by 15°.
- Infrared ON-OFF remote control with air flow and heating regulation (if present).
- Standard colour RAL 9016 (any RAL colour on request)

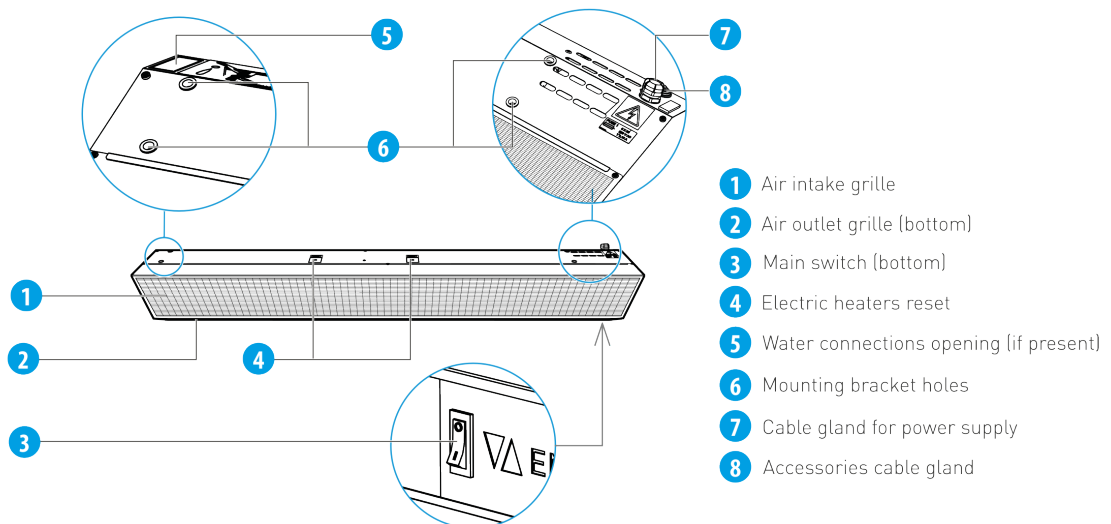


ELECTRIC HEATING



WITHOUT HEATING

MAIN PARTS



BLA



Diffusion

Components
for perfect air
distribution in HVAC
systems

PERFORMANCE DATA

Model	BLA 50 Hz					
	Air flow rate m ³ /h			Sound pressure at 3 m dB(A)		
	Speed 3	Speed 2	Speed 1	Speed 3	Speed 2	Speed 1
BLA-100-E	1330	1220	1050	49,3	47,9	44,5
BLA-100-S	1330	1220	1050	50,6	47,9	44
BLA-150-E	2100	1550	1150	54,1	49,1	39,4
BLA-150-S	2100	1550	1150	54,5	47,0	38,0
BLA-200-E	2420	1950	1450	54,1	49,0	40,4
BLA-200-S	2450	1850	1360	53,8	43,5	35,7

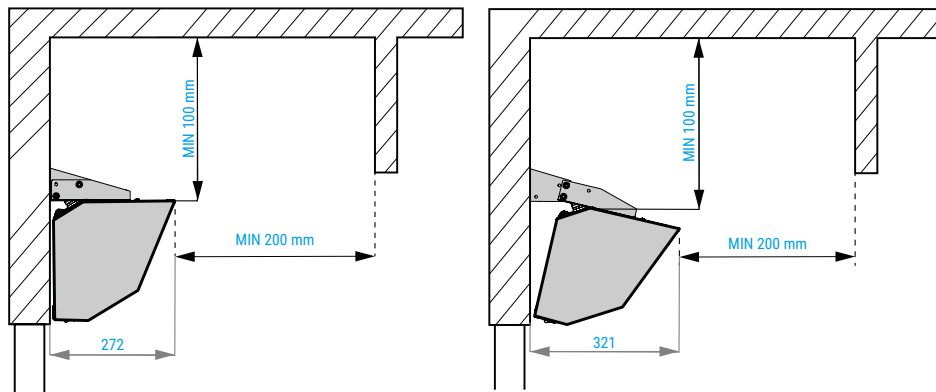
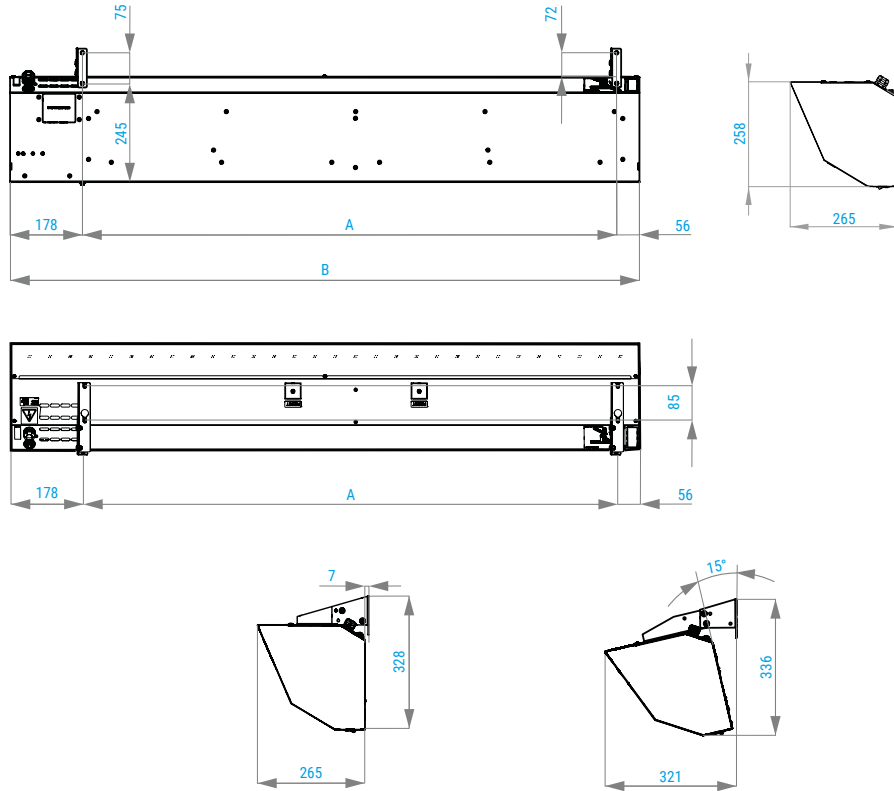
Model	Thermal output kW		Consumption total V/A	Motor consumption V/A	Increase temperature °C	Wt. Kg
	1 level	2 levels				
BLA-100-E	3,4	6,6	400 / 14,8	230 / 0,6	14,6	16
BLA-100-S	-	-	230 / 0,7	230 / 0,7	-	15
BLA-150-E	5,1	9,8	400 / 22,5	230 / 0,9	13,7	22
BLA-150-S	-	-	230 / 0,9	230 / 0,9	-	21
BLA-200-E	6,6	12,9	400 / 28,7	230 / 0,8	15,7	27
BLA-200-S	-	-	230 / 0,8	230 / 0,8	-	26

DIMENSIONS

Model	Dimensions (mm)	
	A	B
BLA-100...	809	1042
BLA-150...	1309	1542
BLA-200...	1809	2042

BLA

Air curtain for height up to 2.5 m



DISTANCES TO BE OBSERVED

ACCESSORIES



TER-P
ROOM THERMOSTAT



DK-B-3
DOOR SWITCH
OPENING CONTACT