

F24

Terminal box for absolute filter



Filtration

Solutions for well-being
of every breath



Product

F24

Material

Steel box 10/10 painted white RAL 9010

Filter

New generation housing designed to accommodate 3 absolute filter thicknesses (68/150/292 mm), thus offering variable filter performance without changing the housing

SPECIFICATIONS

Terminal filter housing box for supply/return air, for absolute filters.

Steel box 10/10 painted white RAL 9010. Screw clamping device for absolute filters depth 68/150/292 mm. H14 filtration, perforated galvanized and painted steel sheet diffusers. Thickness 1.0 mm.

On the upper part of the box, on all 4 sides, the sheet metal is perforated (D. 8 mm) to allow its fixing (Alphen guides, threaded bars). One-piece 15/10 junction plane positioned at the centre for guaranteed sealing.

Tool-free filter locking using manual clips.

1 set of side connections to indicate upstream/downstream pressure outside the room.

It is also used to remotely measure filter clogging.

APPLICATIONS

Terminal filtration and diffusion in areas with contamination risk level 3 and 2 (according to NF S 90-351) in healthcare facilities: rooms with turbulent airflows, for sterilization or laboratories. Ceiling or wall use

RANGE

Housing designed to accommodate 3 filter thicknesses (68/150/292 mm).

2 types of plenum depending on the installation constraints of the box on site: Upper/lateral circular connection for classic ceiling installation or ceiling installation with reduced spaces

2 adaptable ceiling diffusers:

- perforated sheet for vertical air outlet
- helical diffuser (rapid mixing with ambient air)

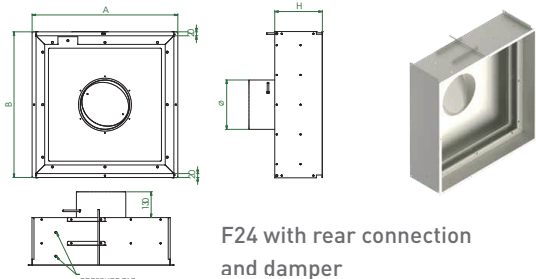
ON REQUEST

AISI 304 stainless steel version,
AISI 316.

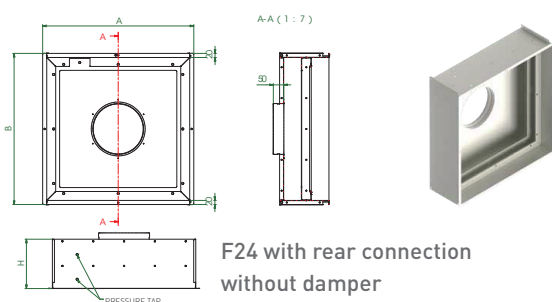
F24

Terminal box for absolute filter

DIMENSIONS



F24 with rear connection and damper



F24 with rear connection without damper

FILTERS	Dimensions (mm)				Weight with damper (kg)	Weight without damper (kg)
	A	B	H	Ø		
305x305x68	490	490	240	160	11	10
457x457x68	590	590	240	200	13	12
545x545x68	590	590	240	200	11	9
610x610x68	738	738	240	250	17	15
610x305x68	738	490	240	200	14	13
915x610x68	1043	738	240	315	23	21
1220x610x68	1348	738	240	315	27	26
305x305x155	490	490	330	200	13	12
457x457x155	590	590	330	250	15	14
545x545x155	590	590	330	315	13	11
610x610x155	738	738	330	315	19	17
610x305x155	738	490	330	250	16	15
915x610x155	1043	738	330	400	26	24
1220x610x155	1348	738	330	400	30	29
305x305x292	490	490	465	250	15	14
457x457x292	590	590	465	315	17	16
545x545x292	590	590	465	315	15	13
610x610x292	738	738	465	355	22	20
610x305x292	738	490	465	315	18	17
915x610x292	1043	738	465	400	29	27
1220x610x292	1348	738	465	400	34	33

COMBINED DIFFUSERS

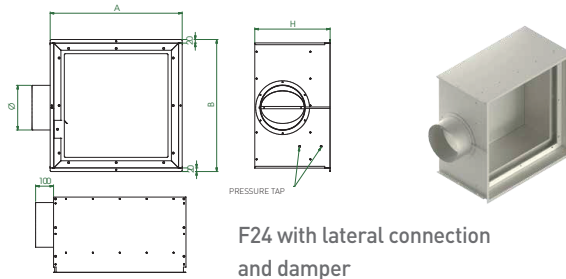
Micro-perforated



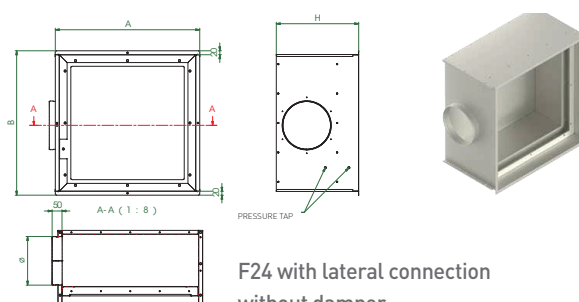
SIZE

305x305 / 457x457 / 545x545
610x610 / 610x305 / 915x610
1220x610

DIMENSIONS



F24 with lateral connection and damper



F24 with lateral connection without damper

FILTERS	Dimensions (mm)				Weight with damper (kg)	Weight without damper (kg)
	A	B	H	Ø		
305x305x68	490	490	330	160	13	12
457x457x68	590	590	370	200	15	14
545x545x68	590	590	370	200	13	12
610x610x68	738	738	420	250	21	19
610x305x68	738	490	370	200	17	16
915x610x68	1043	738	485	315	28	26
1220x610x68	1348	738	485	315	33	31
305x305x155	490	490	460	200	15	14
457x457x155	590	590	510	250	18	17
545x545x155	590	590	575	315	17	16
610x610x155	738	738	575	315	25	23
610x305x155	738	490	510	250	20	19
915x610x155	1043	738	600	400	32	30
1220x610x155	1348	738	600	400	37	35
305x305x292	490	490	645	250	18	17
457x457x292	590	590	710	315	22	21
545x545x292	590	590	710	315	20	19
610x610x292	738	738	750	355	29	27
610x305x292	738	490	710	315	24	23
915x610x292	1043	738	795	400	27	25
1220x610x292	1348	738	795	400	43	41

Helical



SIZE

305x305 / 457x457
545x545 / 610x610