



Product

FCAN

Description

Absolute filter box equipped with an integrated bag-in bag-out system to protect operators during filter replacement

Material

Steel box 2 mm thickness, airtight, painted white RAL9010

SPECIFICATIONS

Steel box 2 mm thickness, airtight, painted white RAL9010.

Clamping system consisting of a stainless steel frame that, through a pair of lever mechanisms, acts on the entire contact surface of the filter.

Containment bag fastening by means of a double-groove elastic ring supplied as standard. Closing door equipped with 2 handles in RAL 9010. It is inserted with a safety system that ensures clamping only if the filter is in position. Connection of the box to the ducts via pre-drilled rectangular flange. Provision for pressure taps. Bag-in-bag-out system for operator protection. Airtightness of the casing valid up to

± 5000 Pa (L1 classification according to EX 1886, CETIAT test report No. 2514090). Localized air penetration on the junction plane <0.01% (Emery 3004 test). Double-groove flange to ensure bag replacement without interrupting containment.

OPERATING PRINCIPLE

FCAN is an absolute filter box equipped with an integrated bag-in bag-out system to protect operators during filter replacement. This version allows high airflow rates as well as a double filtration stage (HE, THE, activated carbon)

APPLICATIONS

Air extraction from microbiological safety laboratories (P3 or P4 containment)

Pharmaceutical and chemical industry or nuclear.

Hospitals, biotechnology, animal care. Filter replacement without risk of contamination; to be used when it is mandatory that the operator or environment not be in contact with contaminated compounds (particles or molecules) present on the filter or in the box.

RANGE

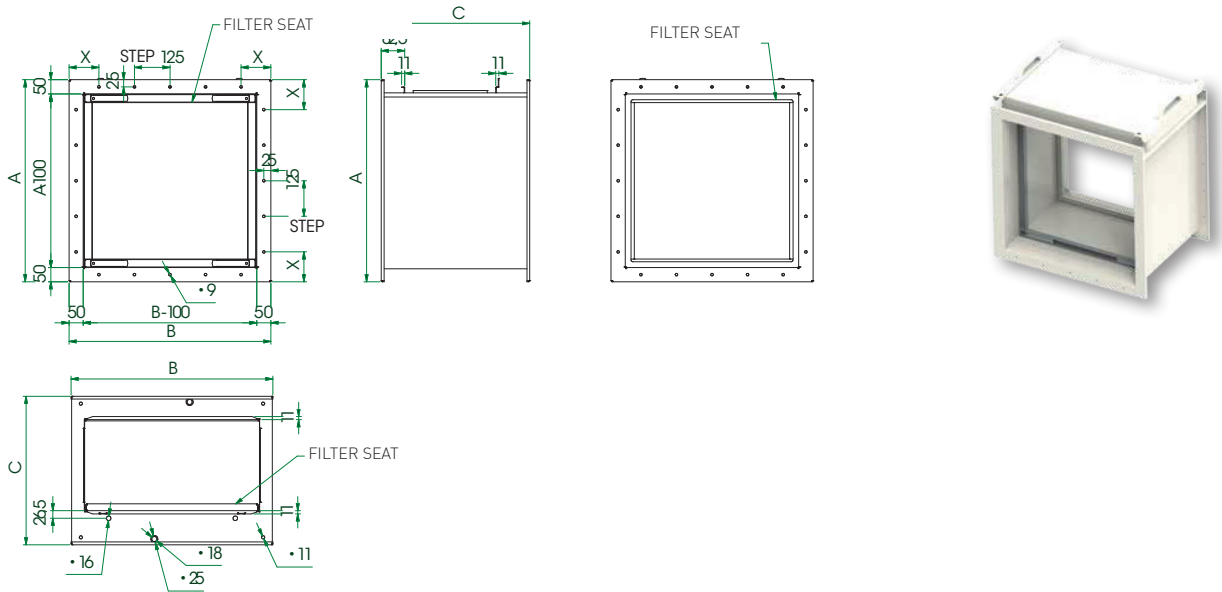
- 4 box dimensions for standard filters: 3-3 (305x305), 4-4 (457x457), 3-6 (305x610), 6-6 (610x610)
- 4 possible filter thicknesses: 48 mm / 68 mm / 150 mm / 292 mm

ON REQUEST

AISI 304 stainless steel version, AISI 316.

FCAN

Safety filter box with bag in-bag out system



DIMENSIONS

Model	LXH Filters (mm)	A (mm)	B (mm)	C / weight (kg) without filters (mm)		
				Filter 48/68	Filter 150	Filter 292
3-3	305x305	406	406	290/19	377/22	522/26
4-4	457x457	558	558	290/26	377/29	522/35
6-3	610x305	711	406	290/28	377/31	522/47
6-6	610x610	711	711	290/35	377/40	522/47