

# PF-PFL

## Filter ceilings with and without scialytic lamp



### Product

PF - PFL

PF: not prepared for surgical light

PFL: prepared for surgical light

### Description

Filter ceiling in painted steel RAL 9010, consisting of a frame for false ceilings for hospital operating rooms, set of high efficiency filters and diffusion grilles.

### Range

9 standard sizes, airflow from 2,350 m<sup>3</sup>/h to 12,400 m<sup>3</sup>/h. Standard height 450mm, high efficiency filters H14 or U15 depth 68mm

### SPECIFICATIONS

Filter ceilings, PF/PFL series, which have a simple and reliable filter fastening system. Thanks to the diffusion grids, which generate a unidirectional and uniform flow over the entire surface, an anti-inductive screen is created in compliance with the NFS 90-351 standard. The filtering ceiling diffuser consists of a suspended ceiling frame for hospital operating theatres. The frame can be either in stainless steel or in the painted version and is accompanied by a set of high-efficiency filters (H14) and diffusion grids that guarantee a unidirectional flow above the work area.

### FUNCTIONS

Filter ceilings for the creation of laminar flow systems for operating rooms and cleanrooms.

### CONSTRUCTION

#### Frame

- Painted steel RAL 9010
- Pressure tap (Ø 7 mm) on surgical light (PFL version)
- 25 mm flange on the lower part for false ceiling installation
- Steel angle bracket with holes (Ø 10 mm every 50 cm) on the upper part for ceiling mounting
- Rigid connection for air inlet on the side (height 200 mm - depth 150 mm)

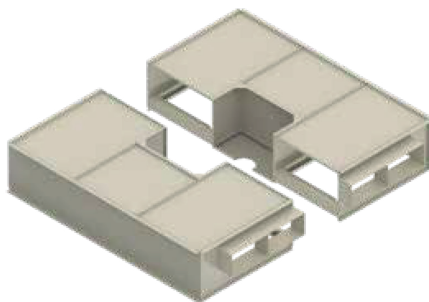
#### Filter holding frame

- Painted steel RAL 9010
- Self-supporting frame in the lower part where the filters are positioned
- Perfectly sealed contact interface, with no possibility of leakage
- 4 or 6 stainless steel fastening elements per filter
- 4 inserts for fixing meshes or covers

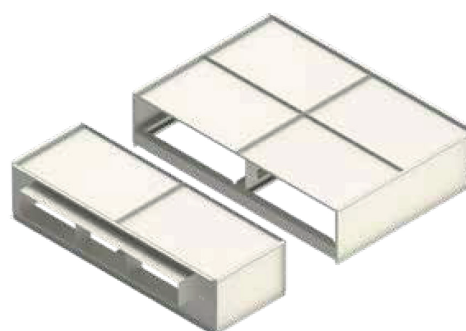
#### High efficiency filters

- Filter sizes: 3.6 - 6.6 - 9.6 and 12.6
- Efficiency: H14 or U15

PFL



PF



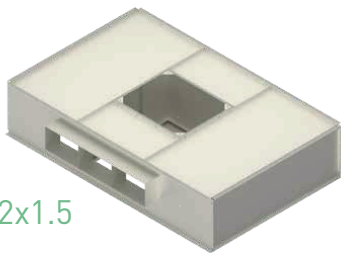


Diffusion grilles  
 - Steel sheet (open/closed: 40%)  
 painted white RAL 9010  
 - Unidirectional air diffusion,  
 without flow interruptions according  
 to NFS 90-351

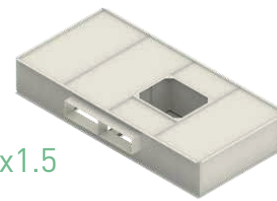
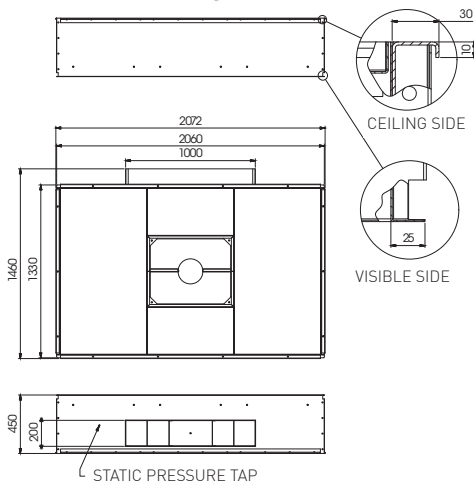
SURGICAL LIGHT HOUSING - PFL  
 VERSION  
 Steel painted RAL 9010  
 At the centre of the frame.  
 Dedicated, airtight section  
 Pressure tap via plastic tube; allows

the integrity test or the evaluation of  
 filter clogging from inside the room  
 Easy access to the surgical light via 2  
 removable airtight plates

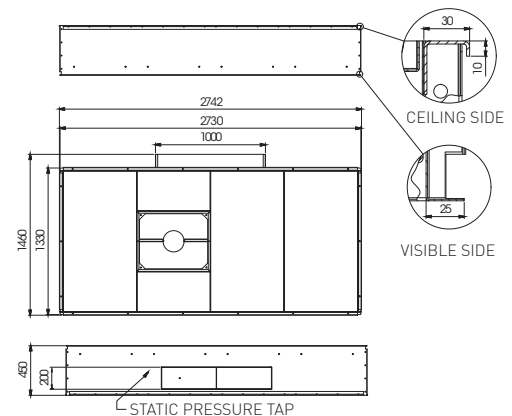
## DIMENSIONAL DRAWINGS



PFL 2x1.5



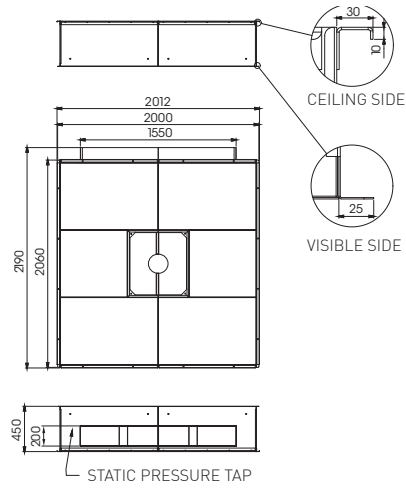
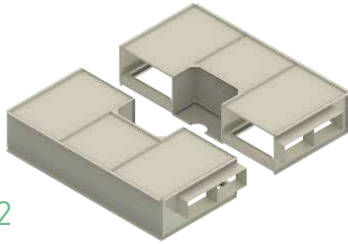
PFL 2.5x1.5



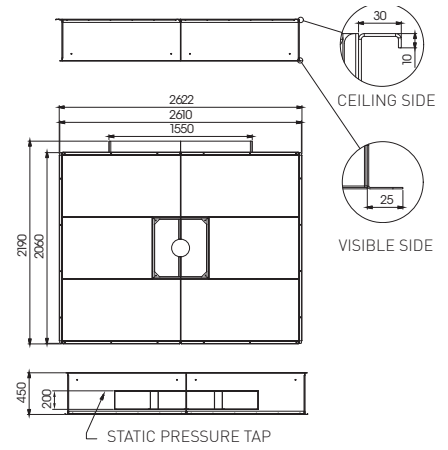
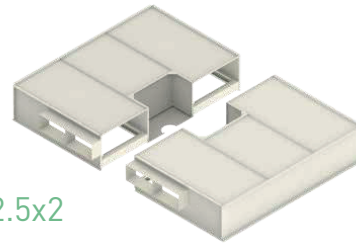
# PF-PFL

Filter ceilings with and without scialytic lamp

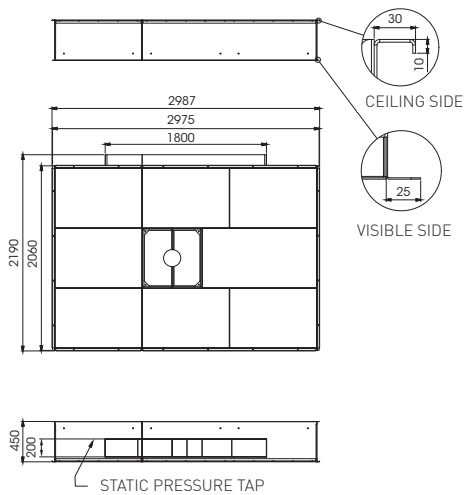
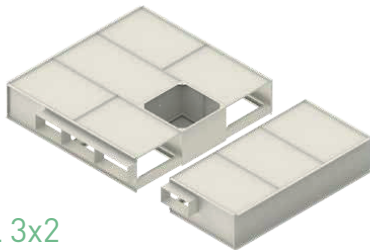
## PFL 2x2



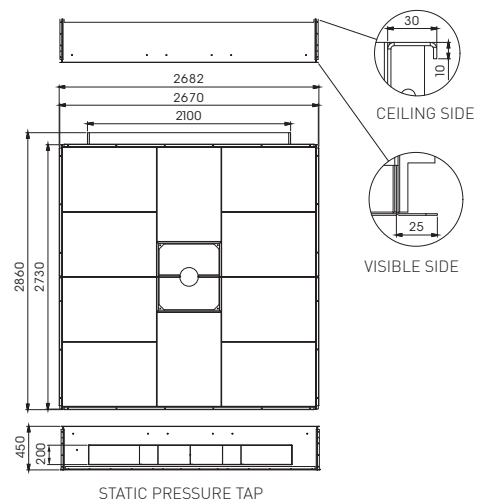
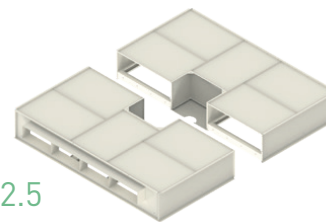
## PFL 2.5x2

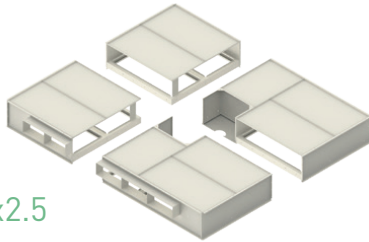


## PFL 3x2

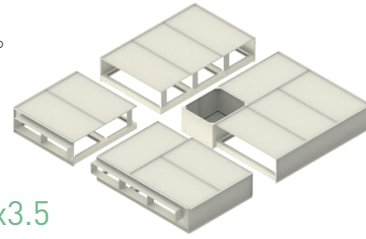
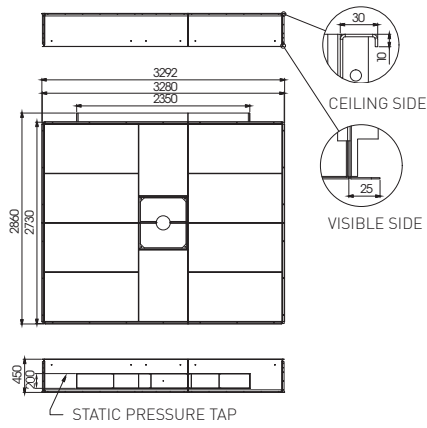


## PFL 2.5x2.5

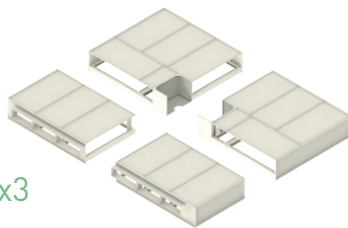
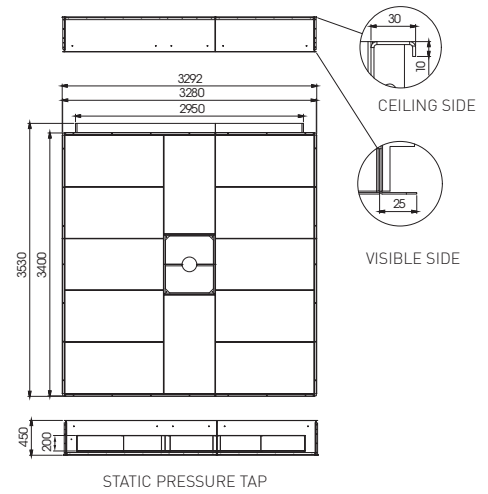




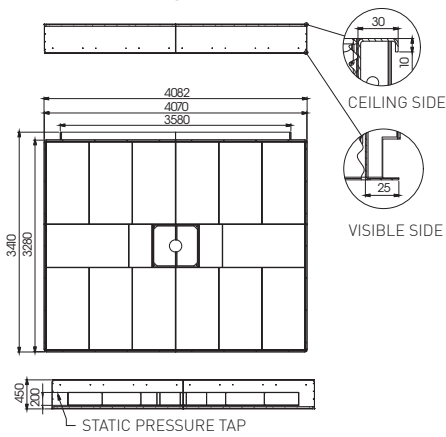
### PFL 3x2.5



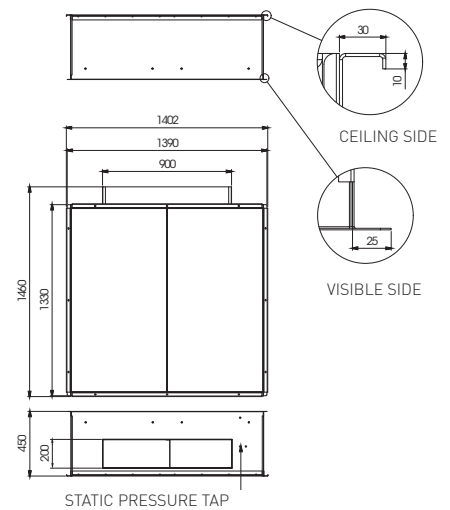
### PFL 3x3.5



### PFL 4x3



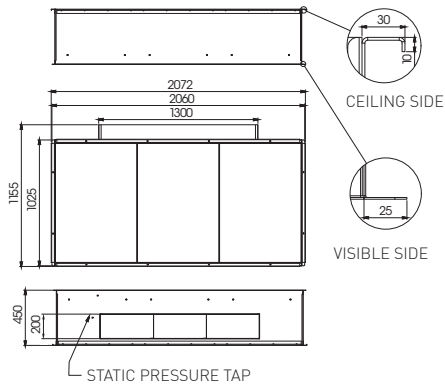
### PF 1.5x1.5



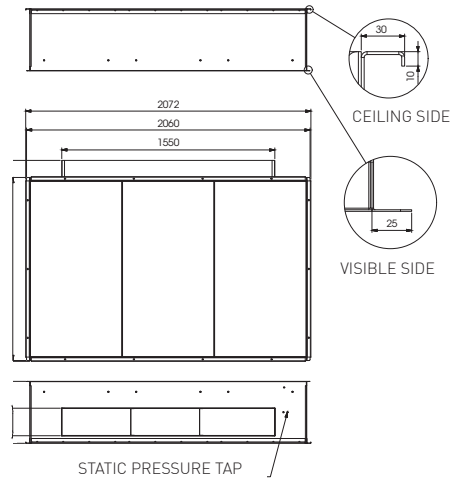
# PF-PFL

Filter ceilings with and without scialytic lamp

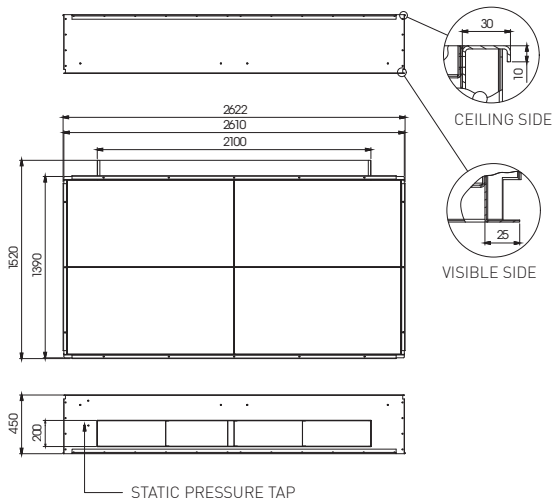
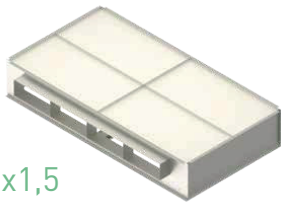
PFL 2x1



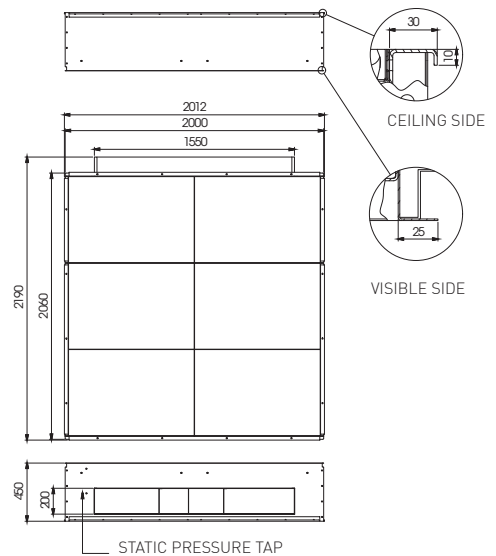
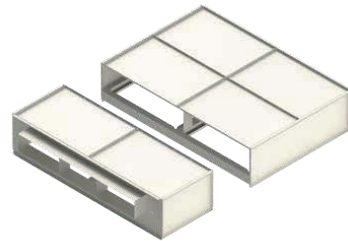
PF 2x1.5



PFL 2.5x1,5



PFL 2x2

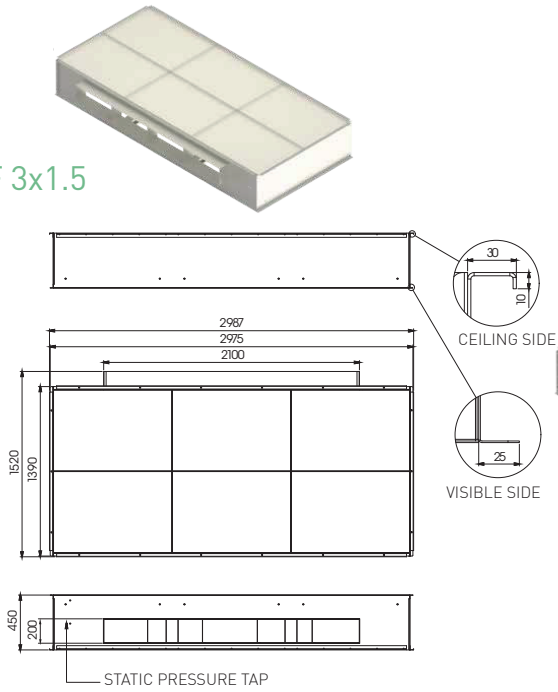




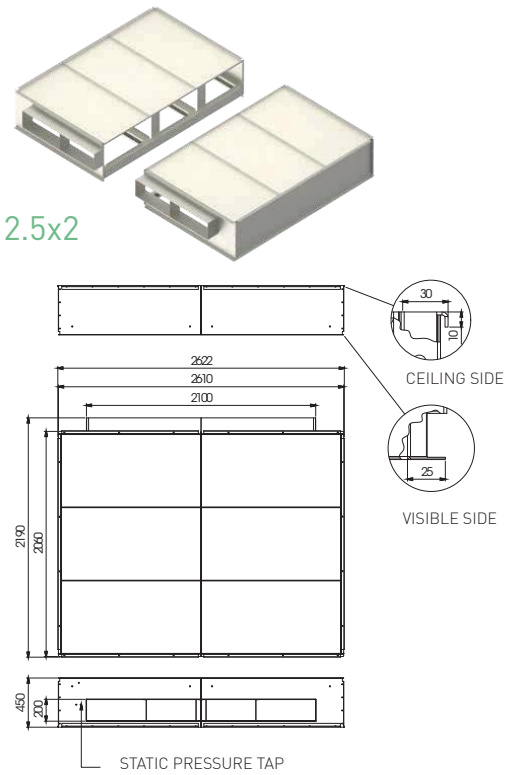
# Filtration

Solutions for well-being of every breath

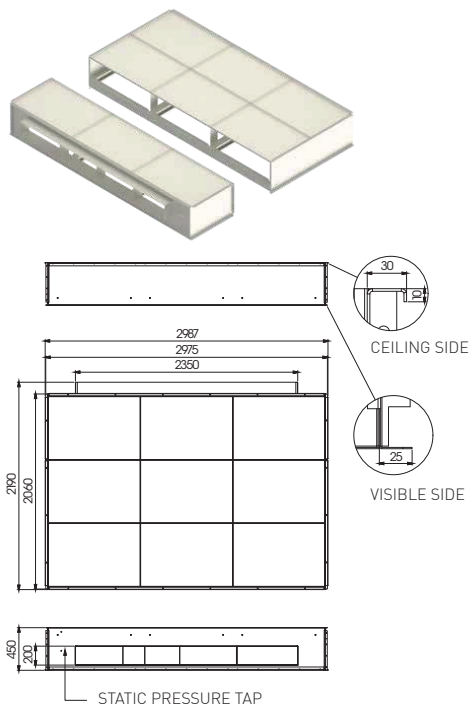
### PF 3x1.5



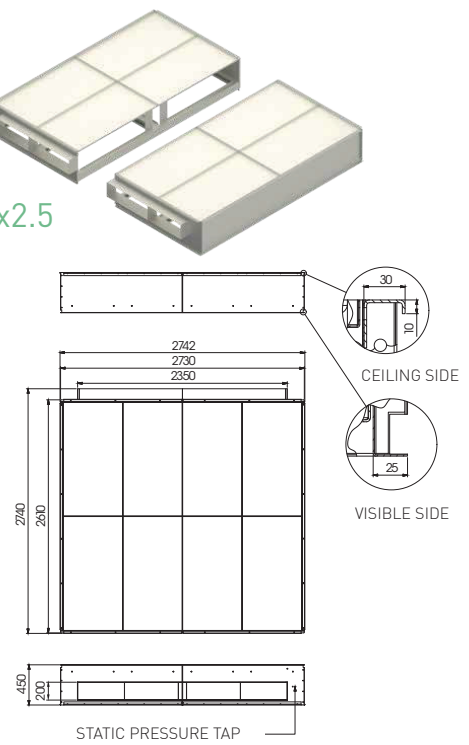
### PF 2.5x2



### PF 3x2



### PF 2.5x2.5



# PF-PFL

Filter ceilings with and without scialytic lamp

## DIMENSIONAL

### PFL

Size	Dimensions (mm)	Connection dimensions (mm)	Ø lamp scialytic (mm)	Ø maximum for lamp (mm)	Wt. (kg)	N° filters
2 x 1.5	2060x1330x450	1000x200x150	190	490	98	(2x) 1219x610 + (2x) 610x305
2.5 x 1.5	2730x1330x450	1000x200x150	190	490	120	(3x) 1219x610 + (2x) 610x305
2 x 2	2060x2000x450	1550x200x150	190	560	134	(4x) 915x610 + (2x) 610x610
2.5 x 2	2610x2060x450	1550x200x150	190	560	160	(4x) 1219x610 + (2x) 919x610
3 x 2	2975x2060x450	1800x200x150	190	620	184	(7x) 915x610 + (1x) 1219x610
2.5 x 2.5	2730x2670x450	2100x200x150	190	620	210	(10x) 915x610
3 x 2.5	3280x2730x450	2350x200x150	190	620	244	(8x) 1219x610 + (2x) 915x610
3.5 x 3	3400x3280x450	2950x200x150	190	620	296	(12x) 1219x610
4 x 3	4070x3280x450	3580x200x150	190	620	352	(14x) 1219x610 + (2x) 610x305

Size	Approximate dimensions and weights per section (mm-kg)
2 x 1.5	2060x1330x450 [98 kg]
2.5 x 1.5	2730x1330x450 [120 kg]
2 x 2	(2x) 2190x1006x450 [67 kg]
2.5 x 2	(2x) 2190x1311x450 [80 kg]
3 x 2	2190x1981x450 [120 kg] + 2190x1006x450 [64 kg]
2.5 x 2.5	2682x1489x450 [107 kg] + 2682x1389x450 [103 kg]
3 x 2.5	1981x1489x450 [75 kg] + 1981x1389x450 [71 kg] + 1489x1311x450 [50 kg] + 1389x1311x450 [48 kg]
3.5 x 3	2099x1981x450 [105 kg] + 2041x1311x450 [70 kg] + 1981x1489x450 [70 kg] + 1489x1311x450 [51 kg]
4 x 3	(2x) 2041x1981x450 [104 kg] + (2x) 2041x1429x450 [72 kg]

### PF

Size	Dimensions (mm)	Connection dimensions (mm)	Wt. (kg)	N° filters	Approximate dimensions and weights per section (mm-kg)
1.5 x 1.5	1390x1330x450	900x200x150	63	(2x) 126	1390x1330x450 [63 kg]
2 x 1	2060x1025x450	1300x200x150	75	(3x) 96	2060x1025x450 [75 kg]
2 x 1.5	2060x1330x450	1550x200x150	88	(3x) 126	2060x1330x450 [88 kg]
2.5 x 1.5	2610x1390x450	2100x200x150	111	(4x) 126	2610x1390x450 [111 kg]
2 x 2	2060x2000x450	1550x200x150	126	(6x) 96	2012x1371x450 [79 kg] + 2012x820x450 [47 kg]
3 x 1.5	2975x1390x450	2100x200x150	133	(6x) 96	2975x1390x450 [133 kg]
2.5 x 2	2610x2060x450	2100x200x150	156	(6x) 126	(2x) 2190x1311x450 [78 kg]
3 x 2	2975x2060x450	2350x200x150	181	(9x) 96	2987x1371x450 [112 kg] + 2987x820x450 [69 kg]
2.5 x 2.5	2730x2610x450	2350x200x150	196	(8x) 126	(2x) 2740x1371x450 [98 kg]