

CJBD

Box fan with panelling in sheet metal
direct drive with forward curved blades



| | |
|---------------------|-----------------------------------|
| Product | CJBD |
| Application | Civil and industrial applications |
| Construction | Structure: pre-bent steel |

CABINET

Self-supporting structure in press-bent galvanized sheet metal, with thermal and acoustic insulation in 3 mm thick closed-cell polyurethane. Easily removable side inspection panels.

Cable gland for the power supply cable entry.

FAN

Centrifugal fan with forward curved blades, double inlet with direct drive motor, made of galvanized steel.

MOTOR

Motor with ball bearings, in single-phase 230 V 50 Hz or three-phase 400 V version 50 Hz, available with 4 or 6 poles.

On request Brushless or 3-speed motor.

APPLICATIONS



CIVIL
VENTILATION



TECHNICAL
ROOMS



OFFICES



PUBLIC
SERVICES



CANTEENS

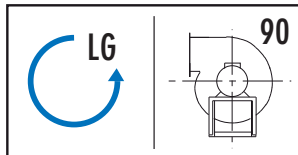


RESTAURANTS



FAST FOOD

ORIENTATIONS



Available only in LG 90 version. Electrical connection on the left side (following the airflow)

Fan characteristic curves are available on page 27 (section CBD - Forward Curved Blade Centrifugal Fan)

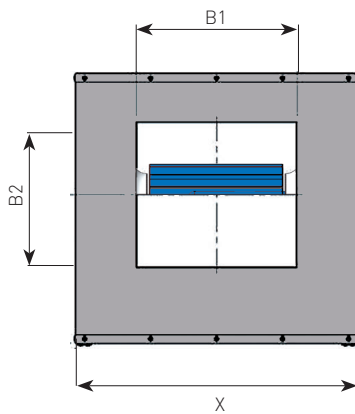


TECHNICAL FEATURES - OPERATING RANGE

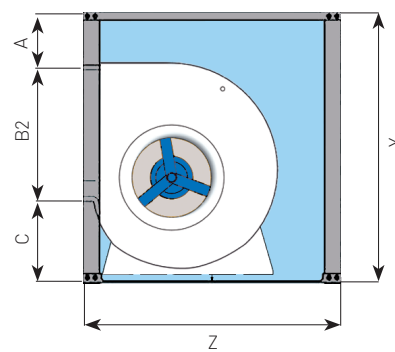
| | | |
|-----------------|-----------------------------------|-------------------|
| Operating range | Max flow rate (m ³ /h) | From 250 to 7,800 |
| | Pressure (Pa) | From 50 to 550 |
| Min. outlet | mm | 230x208 |
| Max. outlet | mm | 387x345 |
| Motor | Volt (±10%) | 230 M / 230-400 T |
| | Poles | 4-6 |

DIMENSIONS

| Fan blade Inches | Supply outlet B1xB2 mm | X mm | Y mm | Z mm | C mm | A mm | Nominal weight kg |
|---------------------|---------------------------|---------|---------|---------|---------|---------|----------------------|
| 7/7 | 230x208 | 450 | 460 | 500 | 135 | 117 | 20 |
| 9/7 | 230x263 | 500 | 520 | 550 | 147 | 110 | 30 |
| 9/9 | 300x263 | 500 | 520 | 550 | 147 | 110 | 30 |
| 10/8 | 260x292 | 550 | 575 | 600 | 168 | 115 | 35 |
| 10/10 | 326x292 | 550 | 575 | 600 | 168 | 115 | 35 |
| 12/9 | 300x345 | 650 | 650 | 700 | 191 | 114 | 50 |
| 12/12 | 387x345 | 650 | 650 | 700 | 191 | 114 | 50 |



FRONT VIEW



SIDE VIEW

CJBD

Centrifugal box fan with sheet metal cladding
direct drive with forward curved blades

AVAILABLE MODELS

| Fan blade Inches | Power installed kW | Power supply Volt/Hz/f | Speed RPM | Poles Number |
|---------------------|--------------------------|---------------------------|--------------|-----------------|
| 7/7 | 0,07 | 230/50/1 | 820 | 6 |
| 7/7 | 0,15 | 230/50/1 | 1346 | 4 |
| 9/7 | 0,37 | 230/50/1 | 1387 | 4 |
| 9/9 | 0,20 | 230/50/1 | 915 | 6 |
| 9/9 | 0,55 | 230/50/1 | 1376 | 4 |
| 10/8 | 0,55 | 230/50/1 | 1310 | 4 |
| 10/10 | 0,25 | 230/50/1 | 924 | 6 |
| 10/10 | 0,55 | 230/50/1 | 1282 | 4 |
| 12/9 | 0,75 | 230/50/1 | 923 | 6 |
| 12/9 | 1,1 | 230/50/1 | 945 | 6 |
| 12/12 | 0,75 | 230/50/1 | 926 | 6 |
| 12/12 | 1,1 | 400/50/3 | 958 | 6 |

ACCESSORIES



ON/OFF safety switch



3-speed selector



REM
Speed controller



RVIT
Inverter IP20 AND IP66

All images are only indicative of the product type and may differ from the actual article.