

CPB

Directly coupled Brushless Plug-fan box



Product

CPB

Application

Civil and industrial applications

Construction

Load-bearing structure: aluminium frame and profiles.
Panels: double sound-absorbing paneling th. 25 mm

CABINET

Structure made with extruded aluminum profiles connected together by ABS corner brackets. Sandwich panels with external pre-painted sheet metal RAL 7032 and internal galvanized sheet metal, with EPDM sealing profile and 25 mm of rigid expanded polyurethane with density 47 kg/m³ and thermal conductivity of 0.0247 Wm²/K at 10°C UNI 7891 according to ISO 1923, sound insulation Rw = 40 dB (ISO 140/10). Inspection door with sealed closure.

FAN

Backward curved blade centrifugal fan with permanent magnet BRUSHLESS motor, direct drive.

High suction performance, compact dimensions, easily adjustable operating point, maximum reliability, virtually no maintenance.

ACCESSORIES

Potentiometer

MOTOR

Speed regulation via 0-10V signal or optional manual potentiometer, operation and fault signaling, external enable input, fault relay, performance and motor current limitation, passive PFC, RS485 MODBUS-RTU, progressive start-up, overheating protection for electronics/motor, low voltage/phase loss detection. Power supply 400 V - 3ph - 50/60 Hz. Operating temperature range: -25 ÷ +50 °C.

APPLICATIONS



CIVIL
VENTILATION



TECHNICAL
ROOMS



OFFICES



PUBLIC
SERVICES



CANTEENS



RESTAURANTS



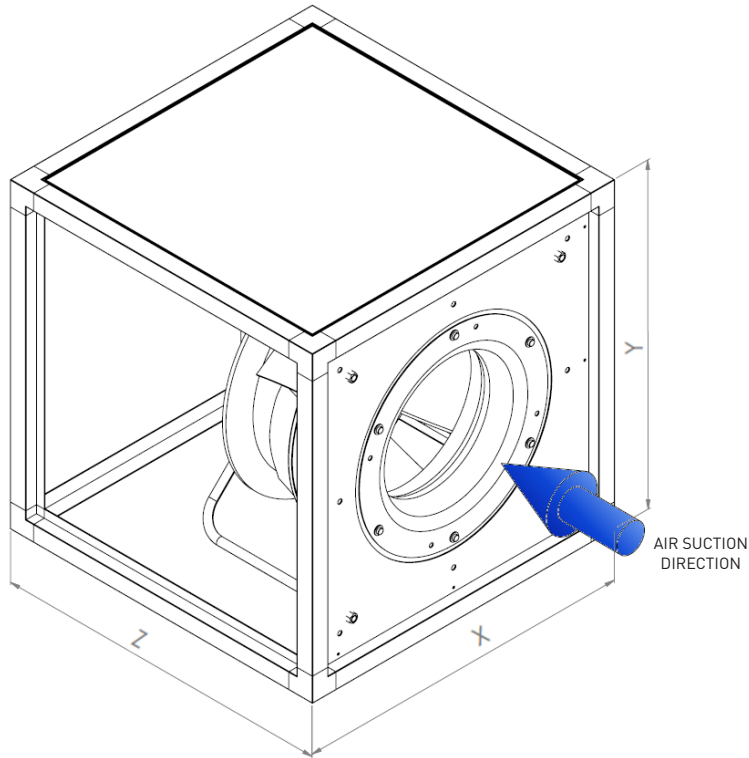
FAST FOOD

QUICK SELECTION TABLE

Model	Impeller	Rated performance		Dimensions (mm) X x Y x Z	Weight (Kg)
		mc/h	Pa		
CPB 2 310	310	3000	1100	620 x 620 x 620	55
CPB 2 355	355	4500	1100	620 x 620 x 620	55
CPB 2 400	400	6000	1100	620 x 620 x 620	55
CPB 3 450	450	7500	1100	770 x 770 x 770	80
CPSB 3 500	500	9000	1100	770 x 770 x 770	80

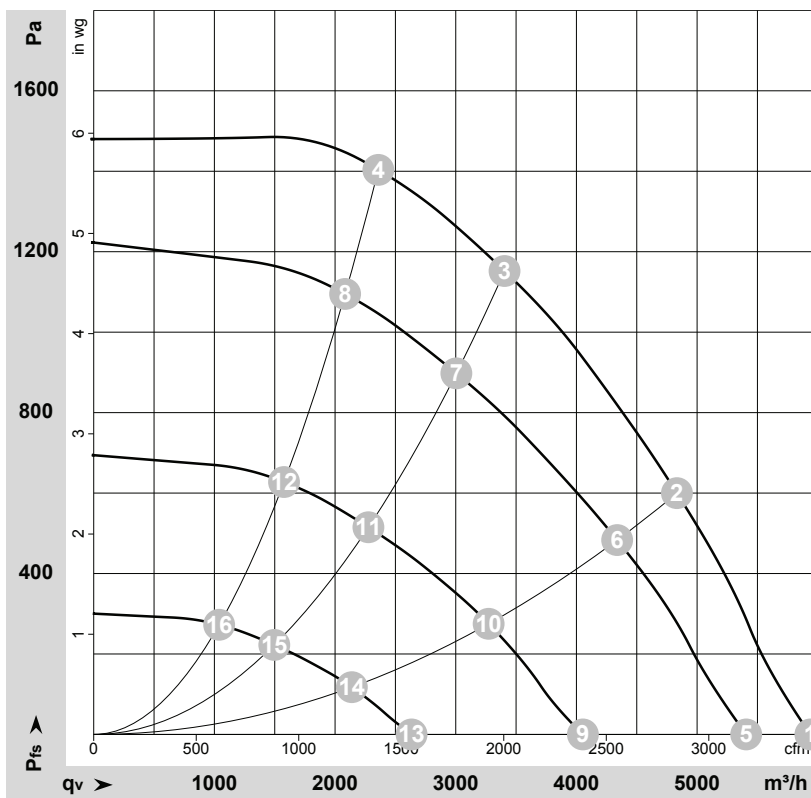


DIMENSIONAL



CHARACTERISTIC CURVES: AIR FLOW RATE 50 HZ

310

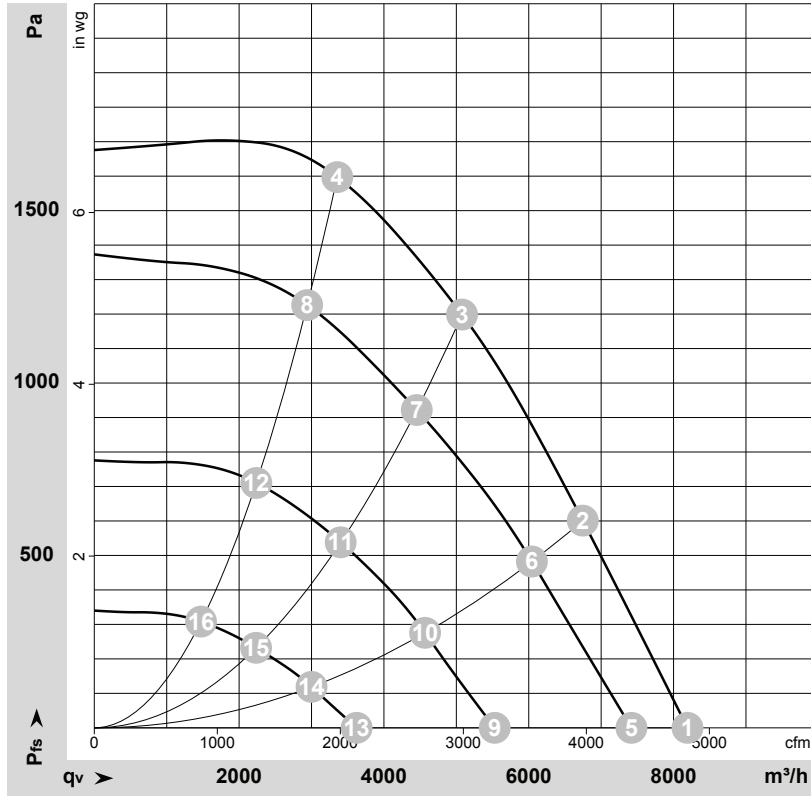


$$\rho = 1,15 \text{ kg/m}^3 \pm 2 \%$$

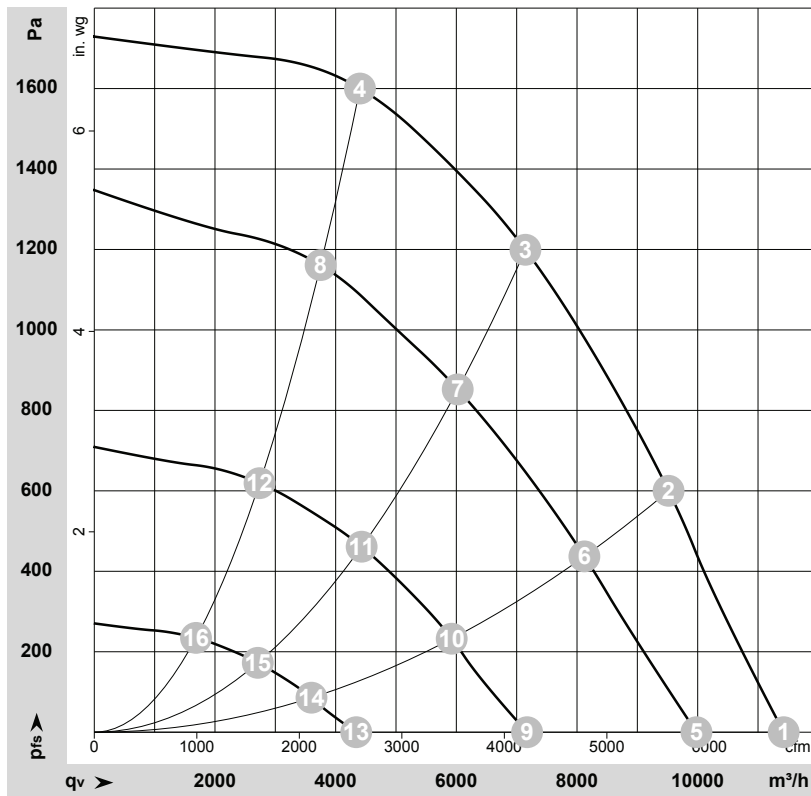
Measurement: LU-174742-1

Air flow rate measured according to ISO 5801, installation category A. Contact ebm-papst for measurement procedure details. Noise level on the suction side: LwA according to ISO 13347 / LpA measured on the fan axis at 1 m distance. Data are valid only under the specified measurement conditions and may vary depending on installation conditions. In case of deviations from standard installation, check the characteristic values on the mounted unit.

355



400

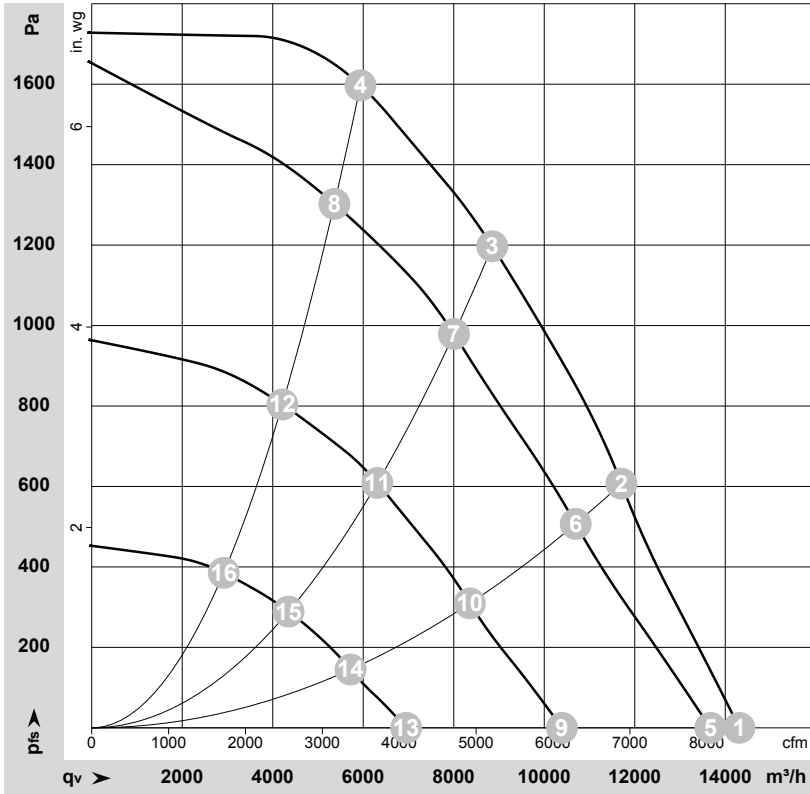




Ventilation

Comfort and performance
at maximum efficiency
energy

450



500

