

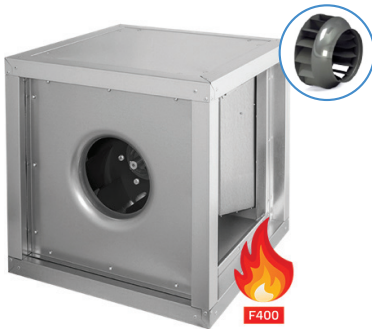
# MPC F4T

Centrifugal box fan  
for smoke extraction



## Ventilation

Comfort and performance  
at maximum efficiency  
energy



### Product

MPC F4T

### Application

Civil and industrial applications

### Construction

External housing: double wall in galvanized steel sheet lined with 30 mm non-combustible mineral wool

#### CABINET

Structure designed for average conveyed temperatures up to 200 °C in continuous operation or 400 °C for 120 minutes. Double-wall cubic casing in galvanized steel sheet lined with fire-resistant mineral wool of 30 mm, non-combustible according to DIN EN 13501-1 standard, building material class A1. Cabinet equipped with condensate collection tray and drain valve. For cleaning and maintenance work, the inspection door can be completely removed using the door handle. The door handle is included in the supply and can be mounted on any side, as desired. The side panels and the cap can be easily removed, allowing three possible discharge directions (left, right or upward).

#### FAN

The high-performance impeller with backward curved blades consists of a powder-coated steel plate. The impeller is dynamically balanced according to quality class G 6.3 of DIN/ISO 1940, mounted on the shaft of an IEC three-phase motor with a special shaft seal that prevents oil and water ingress. Ball bearings are maintenance-free and lubricated.

#### MOTOR

Motor in three-phase execution 400 V/50 Hz, IEC standard. Speed control possible via frequency converter. The motor is located outside the airflow. The motor thermal protection must be installed on-site (thermal motor current monitoring via a motor protection switch or VFD).

## APPLICATIONS



TECHNICAL  
ROOMS



LARGE SPACES



HOSPITALS



CANTEENS



RESTAURANTS



FAST FOOD



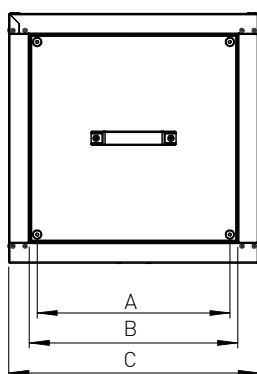
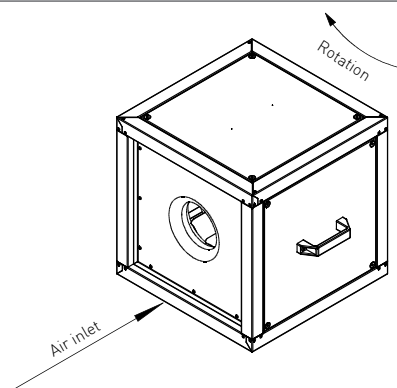
OFFICES

# MPC F4T

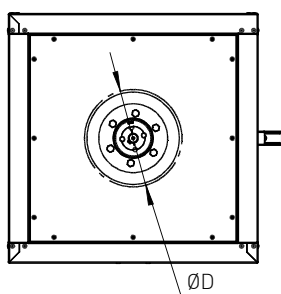
Centrifugal box fan  
for smoke extraction

## DIMENSIONS

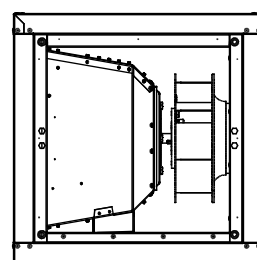
MPC F4T Model	A mm	B mm	C mm	ØD mm
225 D2 F4 T30	386	417	500	195
250 D2 F4 T30	386	417	500	220
280 D2 F4 T30	386	417	500	240
315 D2 F4 T30	386	417	500	270
315 D4 F4 T30	386	417	500	270
355 D4 F4 T30	586	617	700	300
400 D4 F4 T30	586	617	700	340
450 D4 F4 T30	586	617	700	385
500 D4 F4 T30	586	617	700	430
560 D4 F4 T30	786	817	900	465
630 D4 F4 T30	786	817	900	520



RIGHT SIDE VIEW



FRONT VIEW



LEFT SIDE VIEW

## TECHNICAL CHARACTERISTICS

MPC F4T Model	Flow rate max. m <sup>3</sup> /h	Speed max. RPM	Power supply Volt/Hz	I max. A	Power max. absorbed W	Sound power dB(A)	Degree of protection	Wt. kg
225 D2 F4 T30	2010	3520	400/50	0,9	440	83	IP55	35
250 D2 F4 T30	2630	3490	400/50	1,2	692	84	IP55	35
280 D2 F4 T30	2830	2920	400/50	1,3	686	85	IP55	36
315 D2 F4 T30	4115	2950	400/50	2,5	1208	88	IP55	41
315 D4 F4 T30	3300	2360	400/50	1,1	658	81	IP55	40
355 D4 F4 T30	4590	2060	400/50	1,4	793	84	IP55	63
400 D4 F4 T30	4840	1470	400/50	1,1	564	76	IP55	65
450 D4 F4 T30	7125	1630	400/50	2,5	1226	85	IP55	73
500 D4 F4 T30	8090	1485	400/50	2,9	1440	86	IP55	75
560 D4 F4 T30	13060	1470	400/50	5	2661	88	IP55	127
630 D4 F4 T30	17540	1480	400/50	8,8	4325	92	IP55	140



## ACCESSORIES



Safety switch  
ON/OFF



RVIT  
Inverter IP20 and IP66



Disconnecter  
and switch 2 V 20 A



Base frame for MPC in galvanized  
steel sheet



Closing panel for MPC  
in galvanized steel sheet



Connection flange  
for MPC/MPC T  
in galvanized steel sheet



Panel with socket connection for  
MPC/MPC T  
in galvanized steel sheet



Connection flange  
for MPC/MPC T in sheet metal  
in galvanized steel



Sheet metal rain guard roof  
in galvanized steel

All images are only indicative of the product type and may differ from the actual article.