

# MPC T

## High temperature Box plug fan



### Product

MPC T

### Application

Civil and industrial applications

### Construction

External housing: galvanized steel sheet lined with 30 mm non-combustible mineral wool

### CABINET

Double-wall cubic casing in galvanized steel sheet lined with 30 mm fire-resistant mineral wool, non-combustible according to DIN EN 13501-1, building material class A1. Cabinet equipped with condensate collection tray and drain valve.

For cleaning and maintenance work, the inspection door can be completely removed using the door handle.

The door handle is included in the supply and can be mounted on any side, as desired.

The side panels and the cap can be easily removed, allowing three possible discharge directions (left, right or upward).

The side panels are installed in the frame so that no screws protrude inside the enclosure.

Operating temperature: up to 120° continuous.

### FAN

The high-performance impeller with backward curved blades consists of a powder-coated steel plate.

The impeller is dynamically balanced according to quality class G 6.3 of DIN / ISO 1940, on 2 planes.

Ball bearings are maintenance-free and self-lubricated, sealed on both sides.

In three-phase models, the impeller is mounted on the motor shaft with a special shaft seal that prevents the ingress of oil and water.

### MOTOR

Motor in three-phase 400 V/50 Hz version, IEC standard.

Speed control possible via frequency control.

The motor is located outside the airflow.

## APPLICATIONS



TECHNICAL  
ROOMS



LARGE SPACES



HOSPITALS



CANTEENS



RESTAURANTS



FAST FOOD

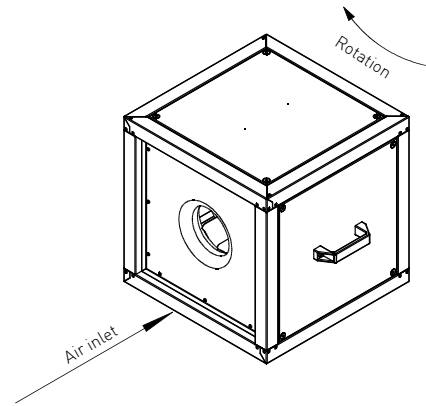


OFFICES



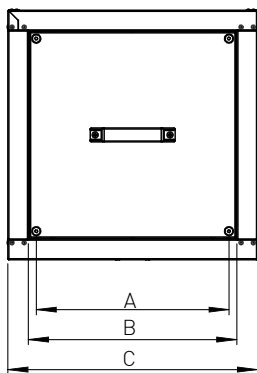
## DIMENSIONS

MPC T Model	A mm	B mm	C mm	ØD mm
225 D2 T40	386	417	500	195
250 D2 T40	386	417	500	220
280 D2 T40	386	417	500	240
315 D2 T40	386	417	500	270
315 D4 T40	386	417	500	270
355 D4 T40	586	617	700	300
400 D4 T40	586	617	700	340
450 D4 T40	586	617	700	385
500 D4 T40	586	617	700	430
560 D4 T40	786	817	900	465
630 D4 T40	786	817	900	520
710 D6 T40	1086	1117	1200	620

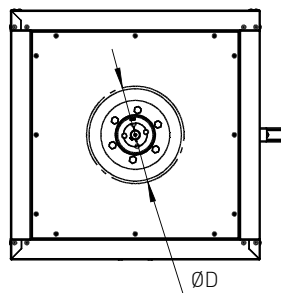


### LEGEND

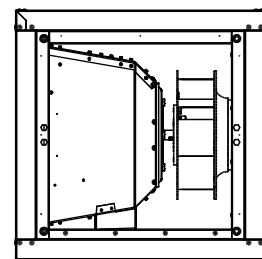
D = three-phase



LEFT SIDE VIEW



FRONT VIEW



RIGHT SIDE VIEW

# MPC T

High temperature Box plug fan

## TECHNICAL CHARACTERISTICS

MPC T Model	Flow rate max. m³/h	Speed max. RPM	Power supply Volt/Hz	I max. A	Power max. absorbed W	Sound power dB(A)	Degree of protection	Wt. kg
225 D2 T30	2010	3520	400/50	0,9	440	83	IP55	35
250 D2 T30	2630	3490	400/50	1,2	692	84	IP55	35
280 D2 T30	2830	2920	400/50	1,3	686	85	IP55	36
315 D2 T30	4115	2950	400/50	2,5	1208	88	IP55	41
315 D4 T30	3300	2360	400/50	1,1	658	81	IP55	40
355 D4 T30	4590	2060	400/50	1,4	793	84	IP55	63
400 D4 T30	4840	1470	400/50	1,1	564	76	IP55	65
450 D4 T30	7125	1630	400/50	2,5	1226	85	IP55	73
500 D4 T30	8090	1485	400/50	2,9	1440	86	IP55	75
560 D4 T30	13060	1470	400/50	5	2661	88	IP55	127
630 D4 T30	17540	1480	400/50	8,8	4325	92	IP55	140
710 D6 T40	19550	990	400/50	7	2761	83	IP55	235



## ACCESSORIES

### THREE-PHASE



Safety ON/OFF switch



RVIT Inverter IP20 e IP66



Disconnecter and switch 2V 20 A



Base frame for MPC in galvanized steel sheet



MPC weather protection compartment in galvanized steel sheet



Motor protection grille in sheet metal in galvanized steel



Weather protection grille for MPC/MPC T in sheet metal in galvanized steel



Closing panel for MPC in sheet metal in galvanized steel



Connection flange for MPC/MPC T in sheet metal in galvanized steel



Panel with socket connection for MPC/MPC T in sheet metal in galvanized steel



Connection flange for MPC/MPC T in steel sheet galvanized



Terminals for closing and noise reduction



Rain guard roof in sheet metal of galvanized steel

All images are only indicative of the product type and may differ from the actual article.