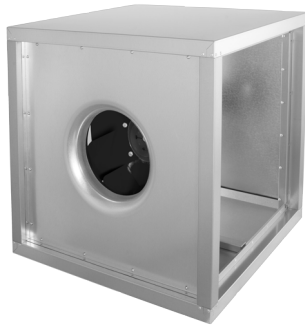


MPC

Plug fan box unit



Product

MPC

Application

Civil and industrial applications

Construction

External housing: galvanized steel sheet lined with 30 mm non-combustible mineral wool

CABINET

Double-wall cubic casing in galvanized steel sheet lined with 30 mm fire-resistant mineral wool, non-combustible according to DIN EN 13501-1, building material class A1. Cabinet equipped with condensate collection tray and drain valve.

For cleaning and maintenance work, the inspection door can be completely removed using the door handle.

The door handle is included in the supply and can be mounted on any side, as desired.

The side panels and the cap can be easily removed, allowing three possible discharge directions (left, right or upward).

The side panels are installed in the frame so that no screws protrude inside the enclosure.

FAN

The high-performance impeller with backward curved blades consists of a powder-coated steel plate.

The impeller is dynamically balanced according to quality class G 6.3 of DIN / ISO 1940, on 2 planes.

Ball bearings are maintenance-free and self-lubricated, sealed on both sides.

In three-phase models, the impeller is mounted on the motor shaft with a special shaft seal that prevents the ingress of oil and water.

MOTOR

Motor in three-phase 400 V/50 Hz version, IEC standard.

Speed control possible via frequency control.

The motor is located outside the airflow.

APPLICATIONS



TECHNICAL
ROOMS



LARGE SPACES



HOSPITALS



CANTEENS



RESTAURANTS



FAST FOOD

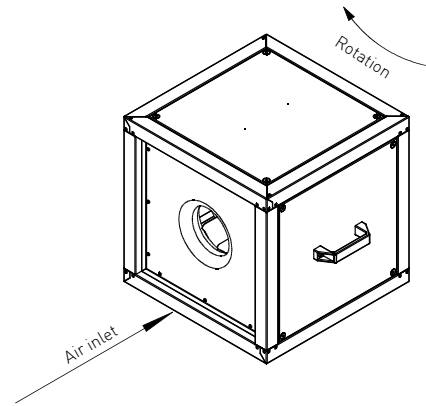


OFFICES



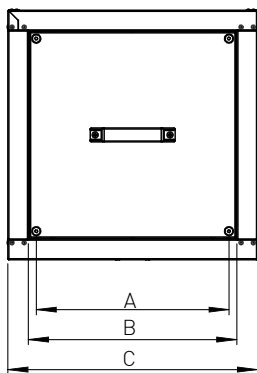
DIMENSIONS

MPC Model	A mm	B mm	C mm	ØD mm
225 D2 40	386	417	500	195
250 D2 40	386	417	500	220
280 D2 40	386	417	500	240
315 D2 40	386	417	500	270
315 D4 40	386	417	500	270
355 D4 40	586	617	700	300
400 D4 40	586	617	700	340
450 D4 40	586	617	700	385
500 D4 40	586	617	700	430
560 D4 40	786	817	900	465
630 D4 40	786	817	900	520
710 D6 40	1086	1117	1200	620

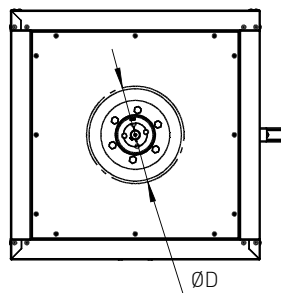


LEGEND

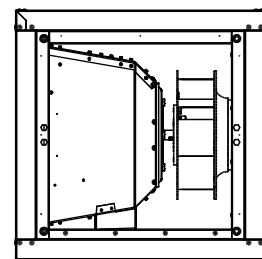
D = three-phase



LEFT SIDE VIEW



FRONT VIEW



RIGHT SIDE VIEW

TECHNICAL CHARACTERISTICS

MPC Model	Flow rate max. m ³ /h	Speed max. RPM	Power supply Volt/Hz	I max. A	Power max. absorbed W	Sound power dB(A)	Degree of protection	Wt. kg
225 D2 40	2020	3530	400/50	0,86	306	85	IP55	35.0
250 D2 40	2730	3490	400/50	1,2	441	84	IP55	35.5
280 D2 40	2970	2925	400/50	1,23	686	84	IP55	36.0
315 D2 40	4295	2960	400/50	2,4	1162	87	IP55	39.0
315 D4 40	3410	2360	400/50	1,1	205	82	IP55	39.0
355 D4 40	4620	2050	400/50	1,41	349	81	IP55	63.0
400 D4 40	4730	1480	400/50	1,1	553	76	IP55	66.0
450 D4 40	7275	1640	400/50	2,45	945	84	IP55	73.0
500 D4 40	8180	1485	400/50	3	1521	85	IP55	76.0
560 D4 40	13410	1470	400/50	5,04	2688	88	IP55	134.0
630 D4 40	17410	1490	400/50	9	4520	93	IP55	144.0
710 D6 40	19555	990	400/50	7	2838	82	IP55	242.0
800 D6 40	22560	990	400/50	9,7	4600	90	IP55	248.0



ACCESSORIES

THREE-PHASE



Safety ON/OFF switch



RVIT Inverter IP20 e IP66



Disconnecter and switch 2V 20 A



Base frame for MPC in galvanized steel sheet



MPC weather protection compartment in galvanized steel sheet



Motor protection grille in sheet metal in galvanized steel



Weather protection grille for MPC/MPC T in sheet metal in galvanized steel



Closing panel for MPC in sheet metal in galvanized steel



Connection flange for MPC/MPC T in sheet metal in galvanized steel



Panel with socket connection for MPC/MPC T in sheet metal in galvanized steel



Connection flange for MPC/MPC T in steel sheet galvanized



Terminals for closing and noise reduction



Rain guard roof in sheet metal of galvanized steel

All images are only indicative of the product type and may differ from the actual article.