

# ACCM

## Central hood with motor



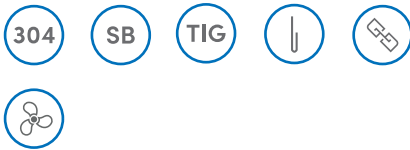
### Product

ACCM

### Construction

Hood with sloped profile. Suitable for installation in kitchen environments where multiple hoods of the same shape are present. Its sloped profile lends itself, in its upper flat section, to complete closure up to the ceiling.

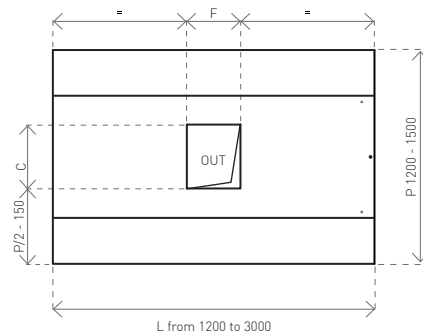
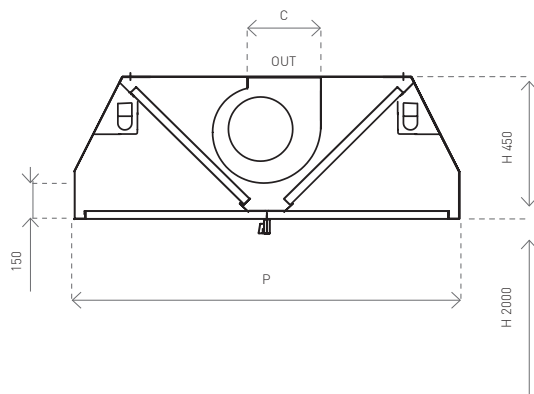
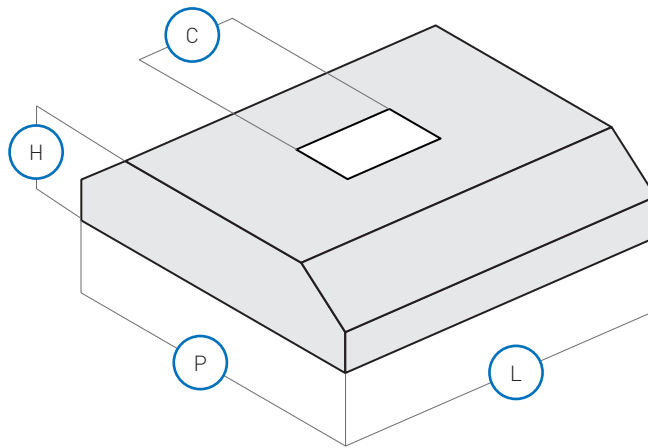
#### FEATURES



#### INCLUDED



#### ON REQUEST





# Ventilation

Comfort and performance  
at maximum efficiency  
energy

## DIMENSIONS

Model	L mm	P mm	H mm	Filters N°	Max indicative flow Mc/h	Lights W	Wt. Kg	Motor power W	F x C mm
ACCM 12/12	1200	1200	450	4	1000-240	2 x 8,4	72	1x200	232 x 208
ACCM 12/14	1400	1200	450	6	1000-240	2 x 16,8	76	1x200	232 x 208
ACCM 12/16	1600	1200	450	6	1000-240	2 x 16,8	80	1x200	232 x 208
ACCM 12/18	1800	1200	450	8	2000-300	2 x 16,8	81	1x420	298 x 262
ACCM 12/20	2000	1200	450	8	2000-300	4 x 8,4	82	1x420	298 x 262
ACCM 12/22	2200	1200	450	8	2000-300	4 x 8,4	92	1x420	298 x 262
ACCM 12/24	2400	1200	450	8	2000-300	4 x 8,4	101	1x420	298 x 262
ACCM 12/26	2600	1200	450	10	2000-300	4 x 8,4	105	1x420	298 x 262
ACCM 12/28	2800	1200	450	10	2000-300	4 x 16,8	109	1x420	298 x 262
ACCM 12/30	3000	1200	450	12	2000-300	4 x 16,8	112	1x420	298 x 262
ACCM 15/12	1200	1500	450	4	1000-240	2 x 8,4	75	1x200	232 x 208
ACCM 15/14	1400	1500	450	6	1000-240	2 x 16,8	79	1x200	232 x 208
ACCM 15/16	1600	1500	450	6	1000-240	2 x 16,8	83	1x200	232 x 208
ACCM 15/18	1800	1500	450	8	2000-300	2 x 16,8	84	1x420	298 x 262
ACCM 15/20	2000	1500	450	8	2000-300	4 x 8,4	85	1x420	298 x 262
ACCM 15/22	2200	1500	450	8	2000-300	4 x 8,4	95	1x420	298 x 262
ACCM 15/24	2400	1500	450	8	2000-300	4 x 8,4	104	1x420	298 x 262
ACCM 15/26	2600	1500	450	10	2000-300	4 x 8,4	108	1x420	298 x 262
ACCM 15/28	2800	1500	450	10	2000-300	4 x 16,8	112	1x420	298 x 262
ACCM 15/30	3000	1500	450	10	2000-300	4 x 16,8	112	1x420	298 x 262