

ACC

Central hood



Product

ACC

Construction

Hood with sloped profile. Suitable for installation in kitchen environments where multiple hoods of the same shape are present. Its sloped profile lends itself, in its upper flat section, to complete closure up to the ceiling.

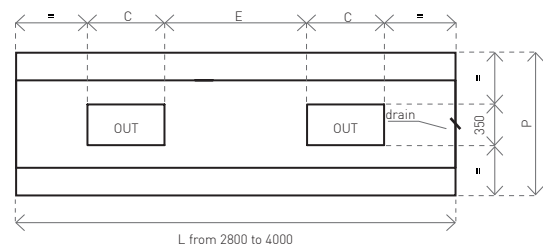
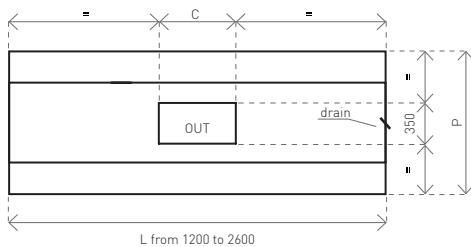
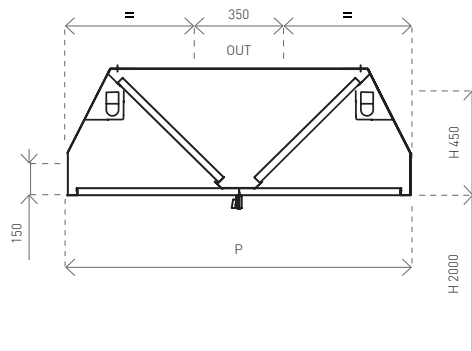
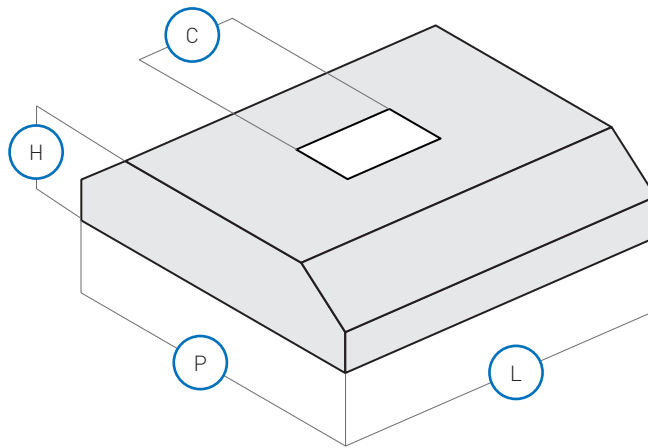
FEATURES



INCLUDED



ON REQUEST





DIMENSIONS

Model	L mm	P mm	H mm	C mm	E mm	Filters N°	Max indicative flow Mc/h	Lights W	Wt. Kg
ACC 12/12	1200	1200	450	400	–	4	1600	2x8,4	60
ACC 12/14	1400	1200	450	500	–	6	1850	2x16,8	64
ACC 12/16	1600	1200	450	500	–	6	2100	2x16,8	68
ACC 12/18	1800	1200	450	600	–	8	2350	2x16,8	69
ACC 12/20	2000	1200	450	600	–	8	2600	4x8,4	70
ACC 12/22	2200	1200	450	700	–	8	2900	4x8,4	80
ACC 12/24	2400	1200	450	700	–	8	3150	4x8,4	89
ACC 12/26	2600	1200	450	700	–	10	3400	4x8,4	93
ACC 12/28	2800	1200	450	400	1000	10	3650	4x16,8	97
ACC 12/30	3000	1200	450	400	1100	12	3900	4x16,8	100
ACC 12/32	3200	1200	450	500	1100	12	4150	4x16,8	104
ACC 12/34	3400	1200	450	600	1100	14	4450	4x16,8	109
ACC 12/36	3600	1200	450	600	1200	14	4700	4x16,8/2x8,4	113
ACC 12/38	3800	1200	450	700	1200	16	4950	4x16,8/2x8,4	117
ACC 12/40	4000	1200	450	700	1300	16	5200	4x16,8/2x8,4	120
ACC 15/12	1200	1500	450	400	–	4	1950	2x8,4	62
ACC 15/14	1400	1500	450	500	–	6	2300	2x16,8	66
ACC 15/16	1600	1500	450	500	–	6	2600	2x16,8	70
ACC 15/18	1800	1500	450	600	–	8	2950	2x16,8	71
ACC 15/20	2000	1500	450	600	–	8	3250	4x8,4	72
ACC 15/22	2200	1500	450	700	–	8	3600	4x8,4	82
ACC 15/24	2400	1500	450	700	–	8	3900	4x8,4	91
ACC 15/26	2600	1500	450	700	–	10	4250	4x8,4	95
ACC 15/28	2800	1500	450	400	1000	10	4550	4x16,8	99
ACC 15/30	3000	1500	450	400	1100	12	4900	4x16,8	102
ACC 15/32	3200	1500	450	500	1100	12	5200	4x16,8	106
ACC 15/34	3400	1500	450	600	1100	14	5550	4x16,8	111
ACC 15/36	3600	1500	450	600	1200	14	5850	4x16,8/2x8,4	115
ACC 15/38	3800	1500	450	700	1200	16	6200	4x16,8/2x8,4	119
ACC 15/40	4000	1500	450	700	1300	16	6500	4x16,8/2x8,4	122
ACC 18/16	1600	1800	450	500	–	6	3150	2x16,8	74
ACC 18/18	1800	1800	450	600	–	8	3500	2x16,8	77
ACC 18/20	2000	1800	450	600	–	8	3900	4x8,4	79
ACC 18/22	2200	1800	450	700	–	8	4300	4x8,4	87
ACC 18/24	2400	1800	450	700	–	8	4700	4x8,4	94
ACC 18/26	2600	1800	450	700	–	10	5100	4x8,4	99
ACC 18/28	2800	1800	450	400	1000	10	5450	4x16,8	104
ACC 18/30	3000	1800	450	400	1100	12	5850	4x16,8	107
ACC 18/32	3200	1800	450	500	1100	12	6250	4x16,8	110
ACC 18/34	3400	1800	450	600	1100	14	6650	4x16,8	115
ACC 18/36	3600	1800	450	600	1200	14	7000	4x16,8/2x8,4	120
ACC 18/38	3800	1800	450	700	1200	16	7400	4x16,8/2x8,4	124
ACC 18/40	4000	1800	450	700	1300	16	7800	4x16,8/2x8,4	127
ACC 22/16	1600	2200	450	500	–	6	3850	2x16,8	81
ACC 22/18	1800	2200	450	600	–	8	4300	2x16,8	85
ACC 22/20	2000	2200	450	600	–	8	4800	4x8,4	88
ACC 22/22	2200	2200	450	700	–	8	5250	4x8,4	92
ACC 22/24	2400	2200	450	700	–	8	5750	4x8,4	96
ACC 22/26	2600	2200	450	700	–	10	6200	4x8,4	104
ACC 22/28	2800	2200	450	400	1000	10	6700	4x16,8	111
ACC 22/30	3000	2200	450	400	1100	12	7150	4x16,8	112
ACC 22/32	3200	2200	450	500	1100	12	7650	4x16,8	114
ACC 22/34	3400	2200	450	600	1100	14	8100	4x16,8	119
ACC 22/36	3600	2200	450	600	1200	14	8600	4x16,8/2x8,4	123
ACC 22/38	3800	2200	450	700	1200	16	9095	4x16,8/2x8,4	128
ACC 22/40	4000	2200	450	700	1300	16	9550	4x16,8/2x8,4	132