

# ACF

## Cubic hood for ovens



### Product

ACF

### Construction

Construction designed for installation on ovens and equipment with high steam production concentrated on the front. Cubic design, combinable with hoods of the same shape.

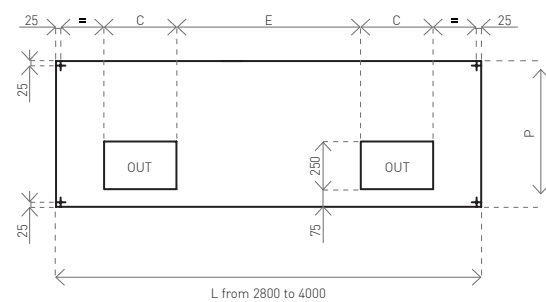
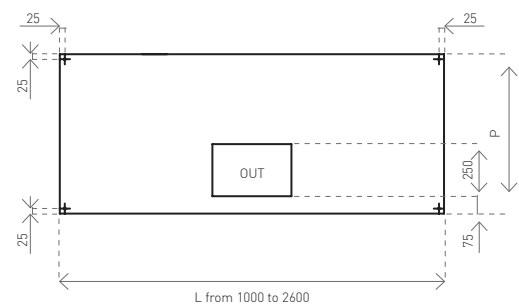
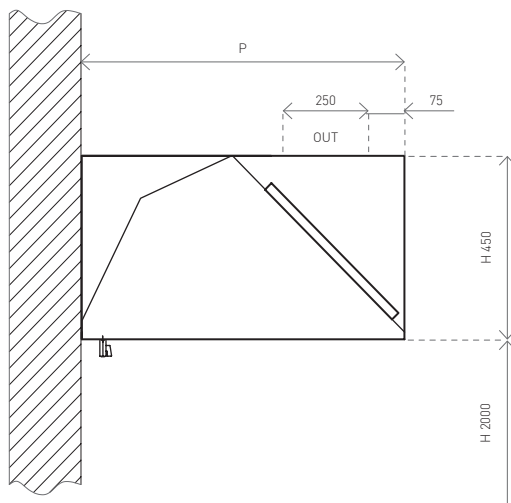
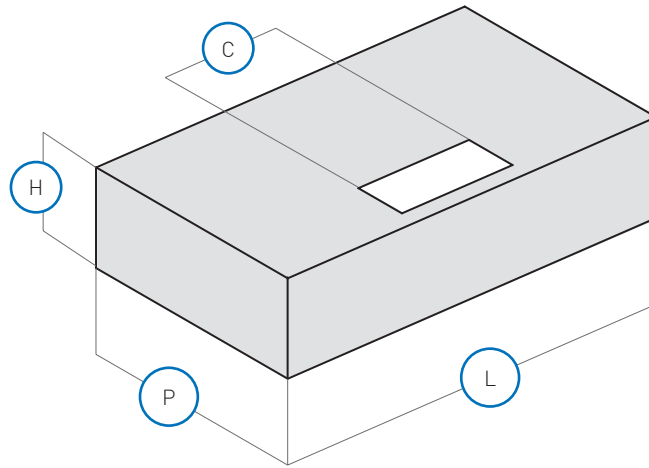
#### FEATURES



#### INCLUDED



#### ON REQUEST





## DIMENSIONS

Model	L mm	P mm	H mm	C mm	E mm	Filters N°	Max indicative flow Mc/h	Wt. Kg
ACF 10/10	1000	1000	450	250	—	2	1100	47
ACF 10/12	1200	1000	450	400	—	2	1300	53
ACF 10/14	1400	1000	450	500	—	2	1550	59
ACF 10/16	1600	1000	450	500	—	3	1750	64
ACF 10/18	1800	1000	450	600	—	3	1950	70
ACF 10/20	2000	1000	450	600	—	4	2200	74
ACF 10/22	2200	1000	450	700	—	4	2400	79
ACF 10/24	2400	1000	450	700	—	5	2600	84
ACF 10/26	2600	1000	450	700	—	5	2850	90
ACF 10/28	2800	1000	450	400	1000	5	3050	95
ACF 10/30	3000	1000	450	400	1100	5	3250	99
ACF 12/10	1000	1200	450	250	—	2	1300	48
ACF 12/12	1200	1200	450	400	—	2	1600	54
ACF 12/14	1400	1200	450	500	—	2	1850	60
ACF 12/16	1600	1200	450	500	—	3	2100	65
ACF 12/18	1800	1200	450	600	—	3	2350	71
ACF 12/20	2000	1200	450	600	—	4	2600	76
ACF 12/22	2200	1200	450	700	—	4	2900	81
ACF 12/24	2400	1200	450	700	—	5	3150	86
ACF 12/26	2600	1200	450	700	—	5	3400	92
ACF 12/28	2800	1200	450	400	1000	5	3650	97
ACF 12/30	3000	1200	450	400	1100	5	3900	102
ACF 14/10	1000	1400	450	250	—	2	1550	50
ACF 14/12	1200	1400	450	400	—	2	1850	56
ACF 14/14	1400	1400	450	500	—	2	2150	62
ACF 14/16	1600	1400	450	500	—	3	2450	68
ACF 14/18	1800	1400	450	600	—	3	2750	74
ACF 14/20	2000	1400	450	600	—	4	3050	80
ACF 14/22	2200	1400	450	700	—	4	3350	86
ACF 14/24	2400	1400	450	700	—	5	3650	91
ACF 14/26	2600	1400	450	700	—	5	3950	97
ACF 14/28	2800	1400	450	400	1000	5	4250	102
ACF 14/30	3000	1400	450	400	1100	5	4550	107