

ACL

Cubic hood for dishwashers



Product

ACL

Construction

Construction designed for specific installation on dishwashing machines. Laminar extraction concentrated on the front. Cubic design, combinable with hoods of the same shape.

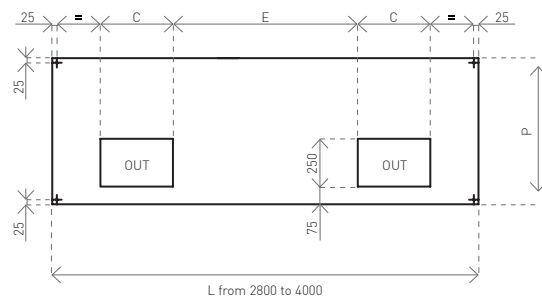
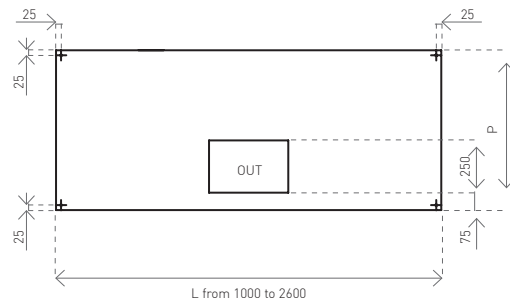
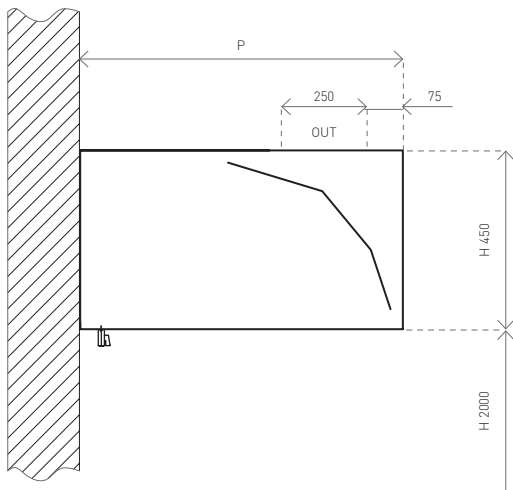
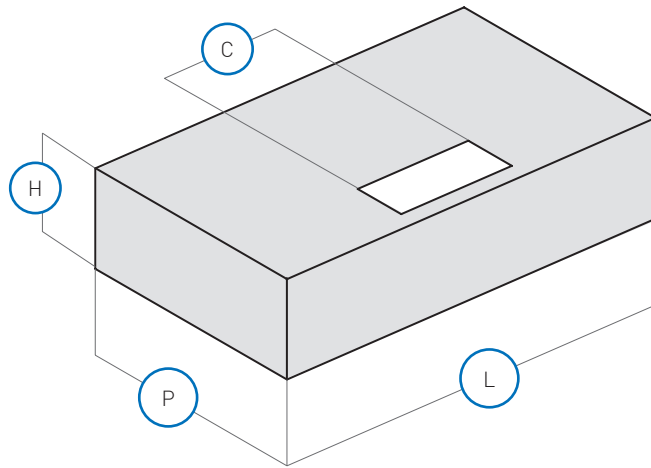
FEATURES



INCLUDED



ON REQUEST





Ventilation

Comfort and performance
at maximum efficiency
energy

DIMENSIONS

Model	L mm	P mm	H mm	C mm	E mm	Max flow rate indicative Mc/h	Wt. Kg
ACL 10/10	1000	1000	450	250	–	1100	34
ACL 10/12	1200	1000	450	400	–	1300	39
ACL 10/14	1400	1000	450	500	–	1550	44
ACL 10/16	1600	1000	450	500	–	1750	48
ACL 10/18	1800	1000	450	600	–	1950	51
ACL 10/20	2000	1000	450	600	–	2200	54
ACL 10/22	2200	1000	450	700	–	2400	60
ACL 10/24	2400	1000	450	700	–	2600	65
ACL 10/26	2600	1000	450	700	–	2850	69
ACL 10/28	2800	1000	450	400	1000	3050	73
ACL 10/30	3000	1000	450	400	1100	3250	77
ACL 12/10	1000	1200	450	250	–	1300	39
ACL 12/12	1200	1200	450	400	–	1600	44
ACL 12/14	1400	1200	450	500	–	1850	49
ACL 12/16	1600	1200	450	500	–	2100	53
ACL 12/18	1800	1200	450	600	–	2350	57
ACL 12/20	2000	1200	450	600	–	2600	61
ACL 12/22	2200	1200	450	700	–	2900	66
ACL 12/24	2400	1200	450	700	–	3150	70
ACL 12/26	2600	1200	450	700	–	3400	74
ACL 12/28	2800	1200	450	400	1000	3650	78
ACL 12/30	3000	1200	450	400	1100	3900	82

LEGEND



AISI 304 labyrinth filter and removable panels



grease drain



wiring with flame-retardant cable, free length 1 m



LED lighting



LED protection cover



perimeter wooden packaging



wall mounting brackets



ceiling suspension accessories



motor speed controller



made of AISI 304 stainless steel



Scotch-Brite finish®



lower channel sealed by welding



anti-cut folds on contact edges



assembly by spot welding



stator fan rotating



untreated air supply system from the inside



three-flow system



washing system



AISI 304 DIN 18869-5 flame-arresting labyrinth filters



washing management panel