

ACPM

Wall-mounted sloping hood with motor



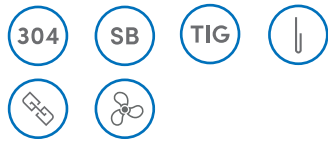
Product

ACPM

Construction

Wall-mounted hood with sloped profile. Suitable for installation in kitchen environments where multiple hoods of the same shape are present. Its sloped profile lends itself, in its upper flat section, to complete closure up to the ceiling.

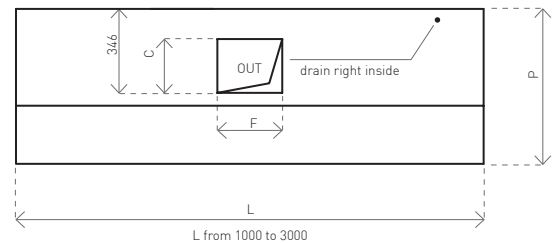
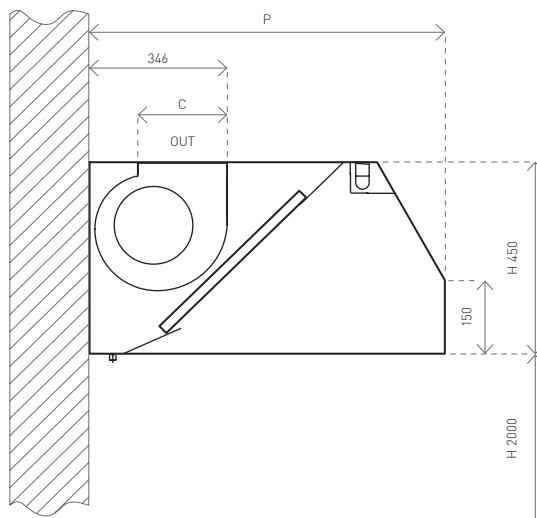
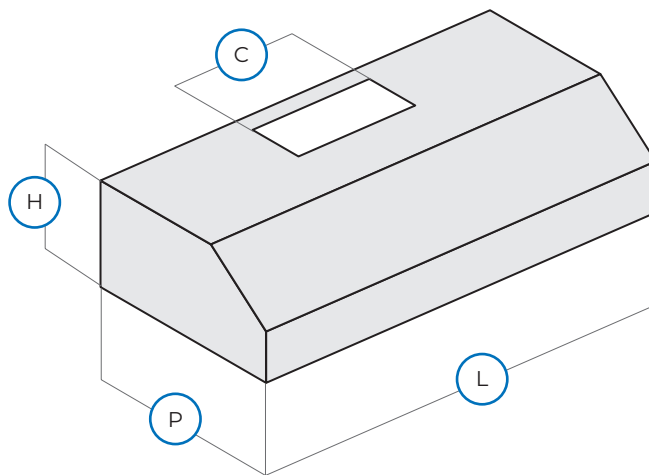
FEATURES



INCLUDED



ON REQUEST





DIMENSIONS

Model	L mm	P mm	H mm	Filters N°	Max indicative flow Mc/h	Lights W	Wt. Kg	Motor power W	F x C mm
ACPM 9/10	1000	900	450	2	1000-240	1 x 8,4	46	1x200	232 x 208
ACPM 9/12	1200	900	450	2	1000-240	1 x 8,4	50	1x200	232 x 208
ACPM 9/14	1400	900	450	3	1000-240	1 x 16,8	53	1x200	232 x 208
ACPM 9/16	1600	900	450	3	1000-240	1 x 16,8	57	1x200	232 x 208
ACPM 9/18	1800	900	450	4	1000-240	1 x 16,8	61	1x200	232 x 208
ACPM 9/20	2000	900	450	4	2000-300	2 x 8,4	64	1x420	298 x 262
ACPM 9/22	2200	900	450	5	2000-300	2 x 8,4	68	1x420	298 x 262
ACPM 9/24	2400	900	450	5	2000-300	2 x 8,4	71	1x420	298 x 262
ACPM 9/26	2600	900	450	5	2000-300	2 x 8,4	75	1x420	298 x 262
ACPM 9/28	2800	900	450	5	2000-300	2 x 16,8	78	1x420	298 x 262
ACPM 9/30	3000	900	450	6	2000-300	2 x 16,8	81	1x420	298 x 262
ACPM 11/10	1000	1100	450	2	1000-240	1 x 8,4	48	1x200	232 x 208
ACPM 11/12	1200	1100	450	2	1000-240	1 x 8,4	52	1x200	232 x 208
ACPM 11/14	1400	1100	450	3	1000-240	1 x 16,8	55	1x200	232 x 208
ACPM 11/16	1600	1100	450	3	1000-240	1 x 16,8	59	1x200	232 x 208
ACPM 11/18	1800	1100	450	4	1000-240	1 x 16,8	62	1x200	232 x 208
ACPM 11/20	2000	1100	450	4	2000-300	2 x 8,4	66	1x420	298 x 262
ACPM 11/22	2200	1100	450	5	2000-300	2 x 8,4	71	1x420	298 x 262
ACPM 11/24	2400	1100	450	5	2000-300	2 x 8,4	75	1x420	298 x 262
ACPM 11/26	2600	1100	450	5	2000-300	2 x 8,4	79	1x420	298 x 262
ACPM 11/28	2800	1100	450	5	2000-300	2 x 16,8	82	1x420	298 x 262
ACPM 11/30	3000	1100	450	6	2000-300	2 x 16,8	85	1x420	298 x 262
ACPM 14/10	1000	1400	450	2	1000-240	1 x 8,4	50	1x200	232 x 208
ACPM 14/12	1200	1400	450	2	1000-240	1 x 8,4	54	1x200	232 x 208
ACPM 14/14	1400	1400	450	3	1000-240	1 x 16,8	57	1x200	232 x 208
ACPM 14/16	1600	1400	450	3	1000-240	1 x 16,8	61	1x200	232 x 208
ACPM 14/18	1800	1400	450	4	1000-240	1 x 16,8	64	1x200	232 x 208
ACPM 14/20	2000	1400	450	4	2000-300	2 x 8,4	68	1x420	298 x 262
ACPM 14/22	2200	1400	450	5	2000-300	2 x 8,4	73	1x420	298 x 262
ACPM 14/24	2400	1400	450	5	2000-300	2 x 8,4	77	1x420	298 x 262
ACPM 14/26	2600	1400	450	5	2000-300	2 x 8,4	81	1x420	298 x 262
ACPM 14/28	2800	1400	450	5	2000-300	2 x 16,8	84	1x420	298 x 262
ACPM 14/30	3000	1400	450	6	2000-300	2 x 16,8	87	1x420	298 x 262