

ACSM

Wall-mounted snack hood with motor



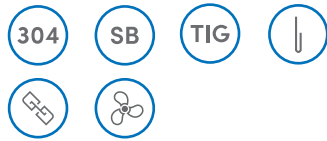
Product

ACSM

Construction

Suitable for installation in particularly low-ceiling kitchen environments. The extraction bodies are supplied in a single piece up to lengths of 3 meters. This ensures absolute cleanability thanks to the absence of joints and extreme ease of installation, as no assembly is required during installation.

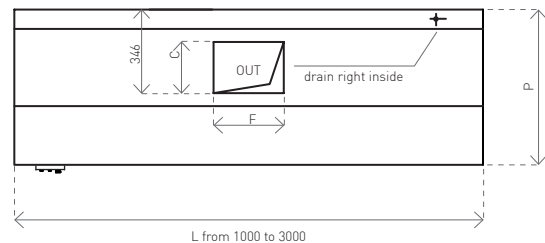
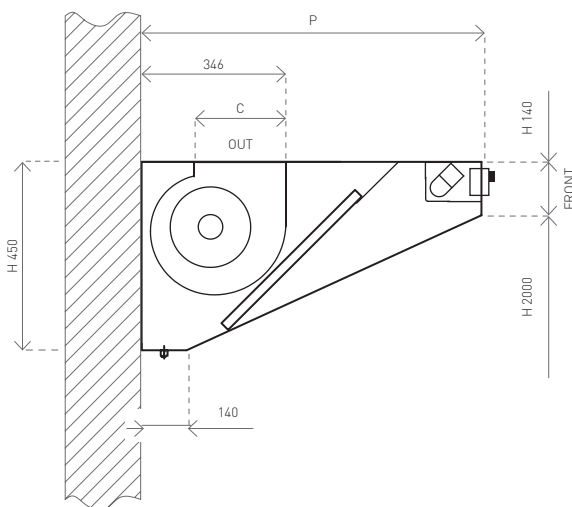
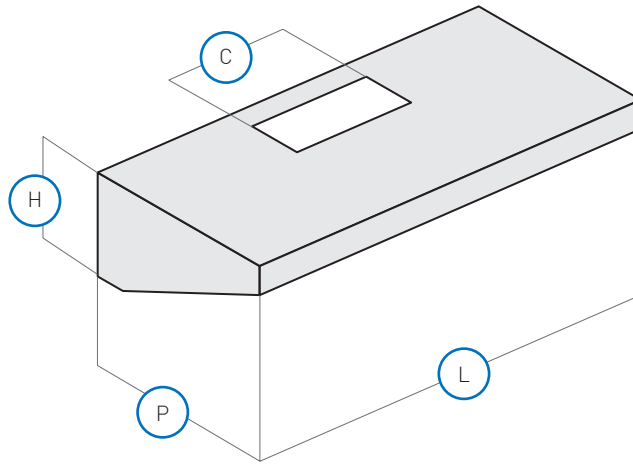
FEATURES



INCLUDED



ON REQUEST





DIMENSIONS

| Model | L mm | P mm | H mm | Filters N° | Max indicative flow Mc/h | Lights W | Wt. Kg | Motor power W | F x C mm |
|------------|---------|---------|---------|---------------|--------------------------|-------------|-----------|---------------|-------------|
| ACSM 7/10 | 1000 | 700 | 450 | 2 | 1000-240 | 1 x 8,4 | 41 | 1x200 | 232 x 208 |
| ACSM 7/12 | 1200 | 700 | 450 | 2 | 1000-240 | 1 x 8,4 | 46 | 1x200 | 232 x 208 |
| ACSM 7/14 | 1400 | 700 | 450 | 2 | 1000-240 | 1 x 16,8 | 49 | 1x200 | 232 x 208 |
| ACSM 7/16 | 1600 | 700 | 450 | 2 | 1000-240 | 1 x 16,8 | 53 | 1x200 | 232 x 208 |
| ACSM 7/18 | 1800 | 700 | 450 | 3 | 1000-240 | 1 x 16,8 | 59 | 1x200 | 232 x 208 |
| ACSM 7/20 | 2000 | 700 | 450 | 4 | 2000-300 | 2 x 8,4 | 62 | 1x420 | 298 x 262 |
| ACSM 7/22 | 2200 | 700 | 450 | 4 | 2000-300 | 2 x 8,4 | 64 | 1x420 | 298 x 262 |
| ACSM 7/24 | 2400 | 700 | 450 | 4 | 2000-300 | 2 x 8,4 | 66 | 1x420 | 298 x 262 |
| ACSM 7/26 | 2600 | 700 | 450 | 4 | 2000-300 | 2 x 8,4 | 69 | 1x420 | 298 x 262 |
| ACSM 7/28 | 2800 | 700 | 450 | 5 | 2000-300 | 2 x 16,8 | 70 | 1x420 | 298 x 262 |
| ACSM 7/30 | 3000 | 700 | 450 | 6 | 2000-300 | 2 x 16,8 | 72 | 1x420 | 298 x 262 |
| ACSM 9/10 | 1000 | 900 | 450 | 2 | 1000-240 | 1 x 8,4 | 43 | 1x200 | 232 x 208 |
| ACSM 9/12 | 1200 | 900 | 450 | 2 | 1000-240 | 1 x 8,4 | 48 | 1x200 | 232 x 208 |
| ACSM 9/14 | 1400 | 900 | 450 | 2 | 1000-240 | 1 x 16,8 | 51 | 1x200 | 232 x 208 |
| ACSM 9/16 | 1600 | 900 | 450 | 2 | 1000-240 | 1 x 16,8 | 55 | 1x200 | 232 x 208 |
| ACSM 9/18 | 1800 | 900 | 450 | 3 | 1000-240 | 1 x 16,8 | 61 | 1x200 | 232 x 208 |
| ACSM 9/20 | 2000 | 900 | 450 | 4 | 2000-300 | 2 x 8,4 | 64 | 1x420 | 298 x 262 |
| ACSM 9/22 | 2200 | 900 | 450 | 4 | 2000-300 | 2 x 8,4 | 66 | 1x420 | 298 x 262 |
| ACSM 9/24 | 2400 | 900 | 450 | 4 | 2000-300 | 2 x 8,4 | 68 | 1x420 | 298 x 262 |
| ACSM 9/26 | 2600 | 900 | 450 | 4 | 2000-300 | 2 x 8,4 | 71 | 1x420 | 298 x 262 |
| ACSM 9/28 | 2800 | 900 | 450 | 5 | 2000-300 | 2 x 16,8 | 72 | 1x420 | 298 x 262 |
| ACSM 9/30 | 3000 | 900 | 450 | 6 | 2000-300 | 2 x 16,8 | 74 | 1x420 | 298 x 262 |
| ACSM 11/10 | 1000 | 1100 | 450 | 2 | 1000-240 | 1 x 8,4 | 43 | 1x200 | 232 x 208 |
| ACSM 11/12 | 1200 | 1100 | 450 | 2 | 1000-240 | 1 x 8,4 | 48 | 1x200 | 232 x 208 |
| ACSM 11/14 | 1400 | 1100 | 450 | 2 | 1000-240 | 1 x 16,8 | 51 | 1x200 | 232 x 208 |
| ACSM 11/16 | 1600 | 1100 | 450 | 2 | 1000-240 | 1 x 16,8 | 55 | 1x200 | 232 x 208 |
| ACSM 11/18 | 1800 | 1100 | 450 | 3 | 1000-240 | 1 x 16,8 | 61 | 1x200 | 232 x 208 |
| ACSM 11/20 | 2000 | 1100 | 450 | 4 | 2000-300 | 2 x 8,4 | 64 | 1x420 | 298 x 262 |
| ACSM 11/22 | 2200 | 1100 | 450 | 4 | 2000-300 | 2 x 8,4 | 66 | 1x420 | 298 x 262 |
| ACSM 11/24 | 2400 | 1100 | 450 | 4 | 2000-300 | 2 x 8,4 | 68 | 1x420 | 298 x 262 |
| ACSM 11/26 | 2600 | 1100 | 450 | 4 | 2000-300 | 2 x 8,4 | 71 | 1x420 | 298 x 262 |
| ACSM 11/28 | 2800 | 1100 | 450 | 5 | 2000-300 | 2 x 16,8 | 72 | 1x420 | 298 x 262 |
| ACSM 11/30 | 3000 | 1100 | 450 | 6 | 2000-300 | 2 x 16,8 | 74 | 1x420 | 298 x 262 |