

# AKCI

## Cubic central induction hood



### Product Construction

AKCI

System with partial compensation of extracted air through direct supply inside the hood. Particularly recommended where the quantities of air to be extracted are substantial. The hood, with its effect, reduces the air intake from adjacent rooms and decreases noise, promoting energy savings.

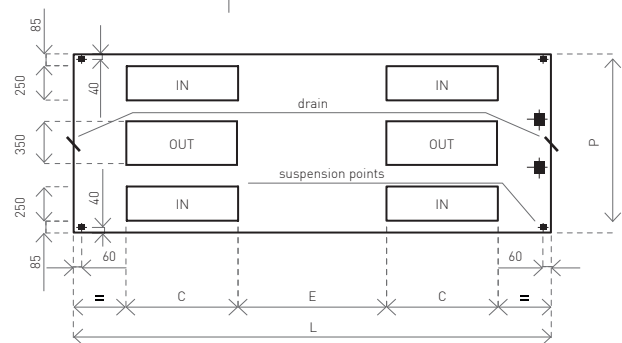
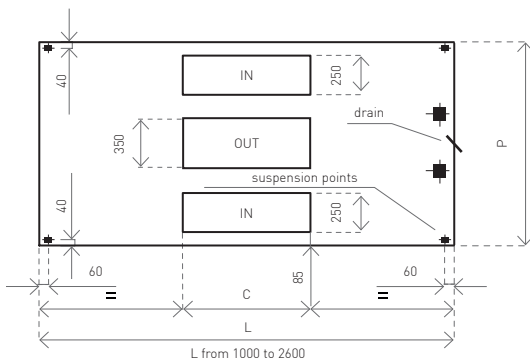
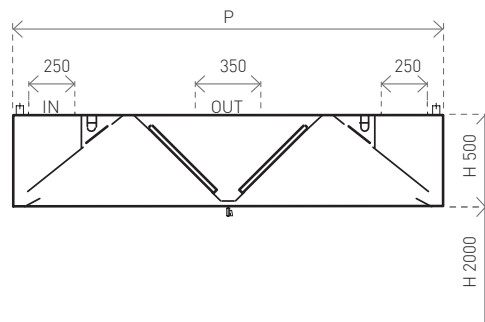
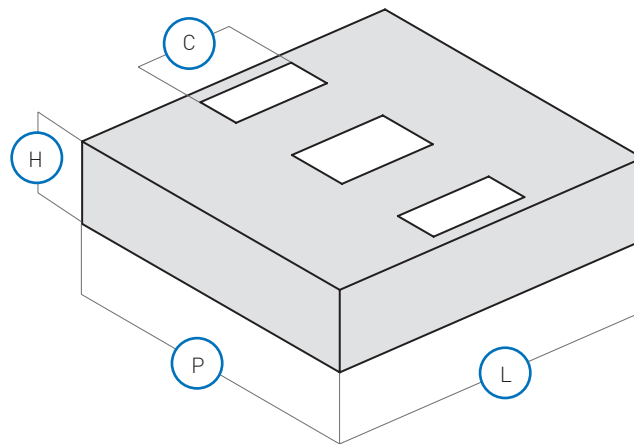
#### FEATURES



#### INCLUDED



#### ON REQUEST





# Ventilation

Comfort and performance  
at maximum efficiency  
energy

## DIMENSIONS

Model	L mm	P mm	H mm	C mm	E mm	Filters N°	Max indicative flow Mc/h	Lights W	Wt. Kg
AKCI 18/16	1600	1800	500	500	—	8	3150	2x16,8	133
AKCI 18/18	1800	1800	500	600	—	8	3500	2x16,8	146
AKCI 18/20	2000	1800	500	600	—	10	3900	4x8,4	159
AKCI 18/22	2200	1800	500	700	—	10	4300	4x8,4	172
AKCI 18/24	2400	1800	500	700	—	12	4700	4x8,4	185
AKCI 18/26	2600	1800	500	700	—	12	5100	4x8,4	198
AKCI 18/28	2800	1800	500	400	1000	14	5500	4x16,8	211
AKCI 18/30	3000	1800	500	400	1100	14	5850	4x16,8	224
AKCI 18/32	3200	1800	500	500	1100	16	6250	4x16,8	237
AKCI 18/34	3400	1800	500	600	1100	16	6650	4x16,8	250
AKCI 18/36	3600	1800	500	600	1200	18	7000	4x16,8/2x8,4	263
AKCI 18/38	3800	1800	500	700	1200	18	7400	4x16,8/2x8,4	276
AKCI 18/40	4000	1800	500	700	1300	20	7800	4x16,8/2x8,4	289
AKCI 22/16	1600	2200	500	500	—	8	3850	2x16,8	138
AKCI 22/18	1800	2200	500	600	—	8	4300	2x16,8	151
AKCI 22/20	2000	2200	500	600	—	10	4800	4x8,4	164
AKCI 22/22	2200	2200	500	700	—	10	5250	4x8,4	177
AKCI 22/24	2400	2200	500	700	—	12	5750	4x8,4	190
AKCI 22/26	2600	2200	500	700	—	12	6200	4x8,4	203
AKCI 22/28	2800	2200	500	400	1000	14	6700	4x16,8	216
AKCI 22/30	3000	2200	500	400	1100	14	7150	4x16,8	229
AKCI 22/32	3200	2200	500	500	1100	16	7650	4x16,8	242
AKCI 22/34	3400	2200	500	600	1100	16	8100	4x16,8	255
AKCI 22/36	3600	2200	500	600	1200	18	8600	4x16,8/2x8,4	268
AKCI 22/38	3800	2200	500	700	1200	18	9095	4x16,8/2x8,4	281
AKCI 22/40	4000	2200	500	700	1300	20	9550	4x16,8/2x8,4	294