

AKPM

Wall-mounted cubic hood with motor



Product Construction

AKPM

Suitable for installation in kitchen environments where multiple hoods of the same shape are present. The distinctive feature of the cubic series hoods lies in the quality of workmanship and the robustness of the assembly.

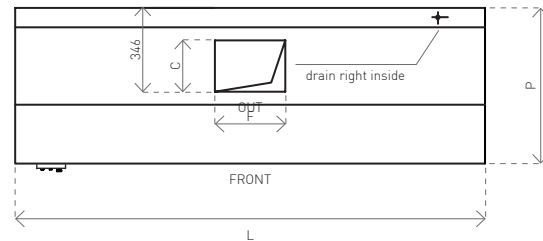
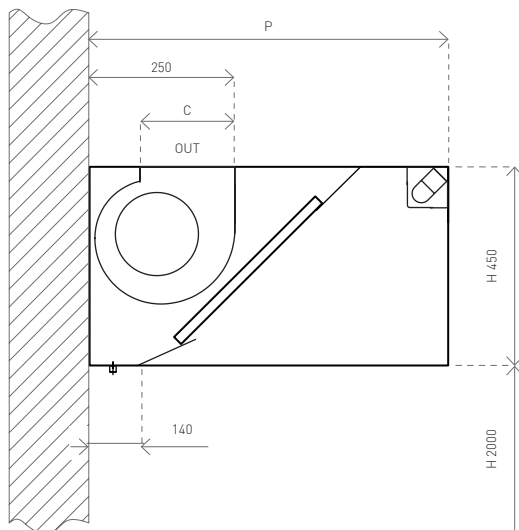
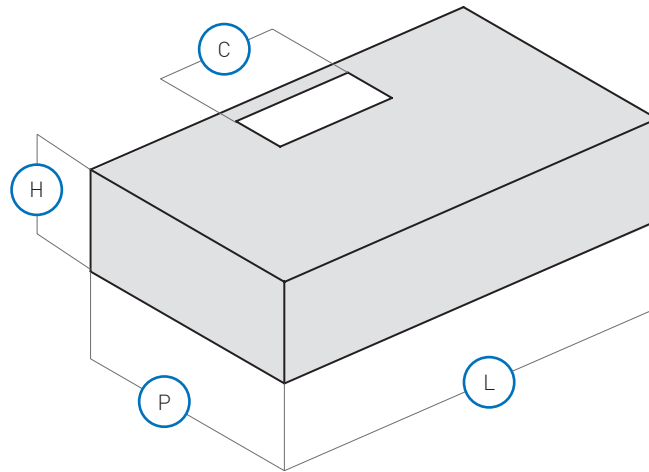
FEATURES



INCLUDED



ON REQUEST





Ventilation

Comfort and performance
at maximum efficiency
energy

DIMENSIONS

Model	L mm	P mm	H mm	Filters N°	Max indicative flow Mc/h	Lights W	Wt. Kg	Motor power W	F x C mm
AKPM 9/10	1000	900	450	2	1000-240	1 x 8,4	43	1x200	232 x 208
AKPM 9/12	1200	900	450	2	1000-240	1 x 8,4	46	1x200	232 x 208
AKPM 9/14	1400	900	450	3	1000-240	1 x 8,4	49	1x200	232 x 208
AKPM 9/16	1600	900	450	3	1000-240	1 x 8,4	53	1x200	232 x 208
AKPM 9/18	1800	900	450	4	1000-240	1 x 8,4	59	1x200	232 x 208
AKPM 9/20	2000	900	450	4	2000-300	1 x 16,8	62	1x420	298 x 262
AKPM 9/22	2200	900	450	5	2000-300	1 x 16,8	64	1x420	298 x 262
AKPM 9/24	2400	900	450	5	2000-300	1 x 16,8	66	1x420	298 x 262
AKPM 9/26	2600	900	450	5	2000-300	1 x 16,8	69	1x420	298 x 262
AKPM 9/28	2800	900	450	5	2000-300	2 x 16,8	70	1x420	298 x 262
AKPM 9/30	3000	900	450	6	2000-300	2 x 16,8	72	1x420	298 x 262
AKPM 11/10	1000	1100	450	2	1000-240	1 x 8,4	47	1x200	232 x 208
AKPM 11/12	1200	1100	450	2	1000-240	1 x 8,4	50	1x200	232 x 208
AKPM 11/14	1400	1100	450	3	1000-240	1 x 8,4	53	1x200	232 x 208
AKPM 11/16	1600	1100	450	3	1000-240	1 x 8,4	57	1x200	232 x 208
AKPM 11/18	1800	1100	450	4	1000-240	1 x 8,4	63	1x200	232 x 208
AKPM 11/20	2000	1100	450	4	2000-300	1 x 16,8	66	1x420	298 x 262
AKPM 11/22	2200	1100	450	5	2000-300	1 x 16,8	68	1x420	298 x 262
AKPM 11/24	2400	1100	450	5	2000-300	1 x 16,8	70	1x420	298 x 262
AKPM 11/26	2600	1100	450	5	2000-300	1 x 16,8	73	1x420	298 x 262
AKPM 11/28	2800	1100	450	5	2000-300	2 x 16,8	74	1x420	298 x 262
AKPM 11/30	3000	1100	450	6	2000-300	2 x 16,8	76	1x420	298 x 262
AKPM 14/10	1000	1400	450	2	1000-240	1 x 8,4	51	1x200	232 x 208
AKPM 14/12	1200	1400	450	2	1000-240	1 x 8,4	54	1x200	232 x 208
AKPM 14/14	1400	1400	450	3	1000-240	1 x 8,4	57	1x200	232 x 208
AKPM 14/16	1600	1400	450	3	1000-240	1 x 8,4	61	1x200	232 x 208
AKPM 14/18	1800	1400	450	4	1000-240	1 x 8,4	67	1x200	232 x 208
AKPM 14/20	2000	1400	450	4	2000-300	1 x 16,8	70	1x420	298 x 262
AKPM 14/22	2200	1400	450	5	2000-300	1 x 16,8	72	1x420	298 x 262
AKPM 14/24	2400	1400	450	5	2000-300	1 x 16,8	74	1x420	298 x 262
AKPM 14/26	2600	1400	450	5	2000-300	1 x 16,8	77	1x420	298 x 262
AKPM 14/28	2800	1400	450	5	2000-300	2 x 16,8	78	1x420	298 x 262
AKPM 14/30	3000	1400	450	6	2000-300	2 x 16,8	80	1x420	298 x 262