

# RVIT

Inverter

## MAINTENANCE AND DIAGNOSTICS

Error log	Storage of last 4 alarms
	Alarm storage for Diagnostics
Data log	- Output Current
	- Inverter temperature
	- DC Bus Voltage
Display	Operating hours control

# Potentiometer RVORK

For electronic motors



Product RVORK  
Programming

### ENVIRONMENTAL CONDITIONS

RVORK Potentiometer

Resistance 10 kΩ

Wall or recessed mounting

Max ambient temperature 50 °C

Switching contact: 1A / 250V AC - 2.5A / 12V DC

VDE

Protection class IP 44

## TECHNICAL CHARACTERISTICS AND DIMENSIONS

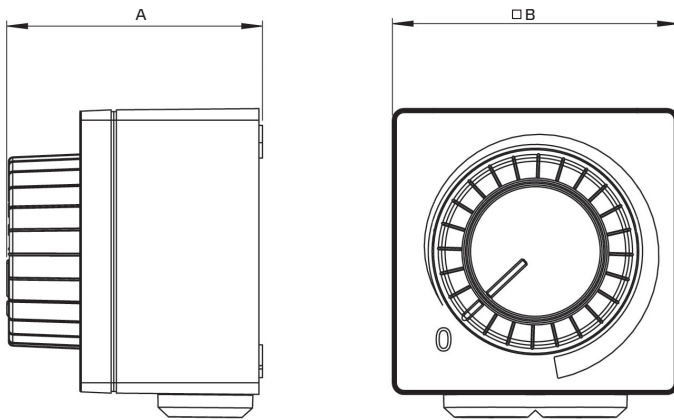
Type	A mm	B mm	C mm	D mm	Wt. Kg
RVORK	74	83	66,5	66,5	0,2

All images are only indicative of the product type and may differ from the actual article.

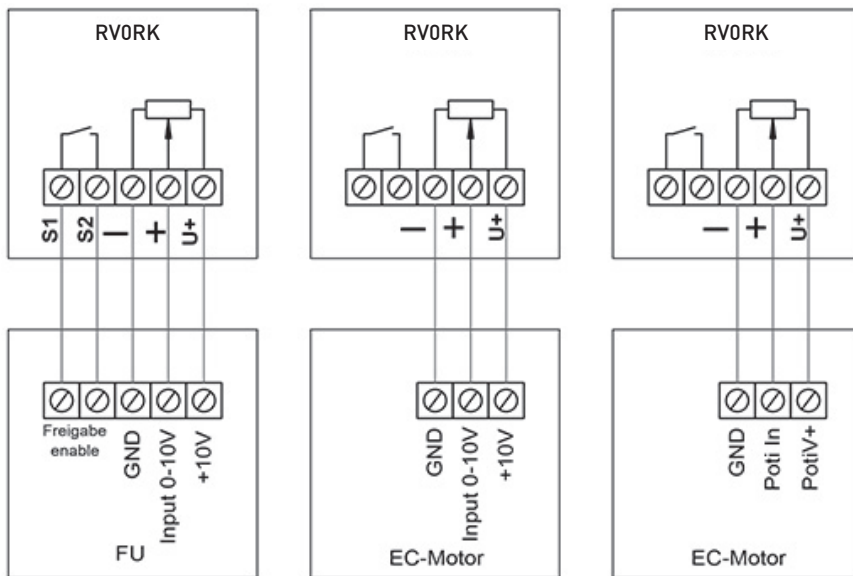


# Ventilation

Comfort and performance  
at maximum efficiency  
energy



## WIRING DIAGRAM



## MOUNTING HOLE DIMENSIONS

